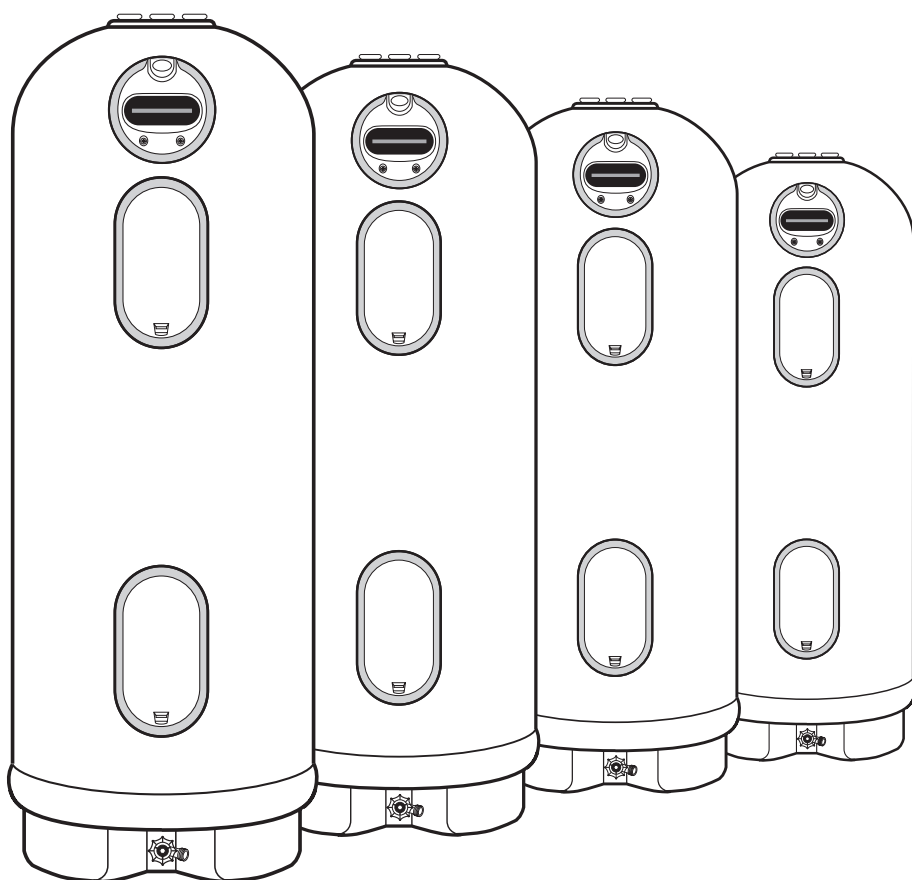


8VH & DUH 0DQXDO
:LWK ,QVWDOODWLRQ ,QVWUXFWL

(OHFWULF

:DWHU + HDWH

6LQJOH DQG 'RXEOH (OHPHQW ORGHOV
± *DOORQ



7KH SXUSRVH RI WKLV PDQXD
RQH WR SURYLGH WKH LQVWD
GLUHFWRQV DQG UHFRPPHQ
LQVWDOODWLRQ DQG DGMXVW
DQG WZR IRU WKH RZQHURSR
WKH IHDWXUHV RSHUDWLRQ
PDLQWHQDQFH DQG WURXEOH
KHDWHU 7KLV PDQXDO DOVR

,W LV LPSHUDWLYH WKDW DOO
H[SHFWHG WR LQVWDOO RSHU
ZDWHU KHDWHU UHDG WKH LQ
VR WKH\ PD\ XQGHUVWDQG KR
WKHVH RSHUDWLRQV ,I\RX G
WKHVH LQVWUXFWLRQV RU DQ
SURIHVVLRQDO DGylfH

\$Q\ TXHVWLRQV UHJDUGLQJ W
PDLQWHQDQFH VHUYLFH RU Z
ZDWHU KHDWHU VKRXOG EH G
IURP ZKRP LW ZDV SXUFKDVH
LQIRUPDWLRQ LV UHTXLUHG

'R QRW GHVWUR\ WKLV PDQXD
FDUHIXOO\ DQG NHHS LQ D VD
UHIHUFH

▲ 5HFRJQLJH WKLV V\PEROD
LQGLFDWLRQ RI ,PSRUWDO
,QIRUPDWLRQ

▲ &DOLIRUQLD 3URSRVLWLR
7KLV SURGXFW FRQWDLQV
NQRZQ WR WKH 6WDWH RI
FDXVH FDQFHU ELUWK GH
UHSURGXFWLYH KDUP



6DIHW\ ,QIRUPDWL
6DIHW\ 3UHFDXWLRQ



)25 <285 5(&25'6

:ULWH WKH PRGHO VHULDO QXPEHUV
EDFN FRYHU RI WKH PDQXDO

7KLV LQIRUPDWLRQ LV ORFDWHG RQ WKH
XQLW

6WDSOH VDOHV VOLS RU FDQFHOOHG F

,QVWDOODWLRQ ,QVWUXFWLRQV
/RFDWLRQ

:DWHU &RQQHFWLRQV

(OHFWULFDO &RQQHFWLRQV

:LULQJ 'LDJUDP



5(\$' 7+,6 0\$18\$/

,QVLGH \RX ZLOO ILQG PDQ\ KHOSIXO KLQ
\RX ZDWHU KHDWHU SURSHUO\ -XVW D Q
FDQ VDYH \RX D JUHDW GHDO RI WLPH DQ

2SHUDWLQJ ,QVWUXFWLRQ

6DIHW\ &RQWUROV

:DWHU 7HPSHUDWXUH

<RX 100 ILQG PDQ\ DQVZHUV WR FRPPRQ S
&DOO)RU 6HUFLFH VHFWRU ,I \RX UHYL
7LSV ILUVW \RX PD\ QRW QHGH WR FDOO



5(\$' 7+(6\$)(7< ,1)250\$7,21

&DUH DQG &OHDQ

'UDLQLQJ

ODLQWHQDQFH

([WHQGHG 6KXW 'RZQ



7KLV LV WKH VDIHW\ DOHUW \IPERO
DV DQ LQGLFDWLRQ RI ,PSRUWDQW
7KLV \IPERO DOHUWV \RX WR SRWH
NLOO RU KXUW \RX DQG RWKHUV

7URXEOHVKRRWLQJ 7LSV

%HIRUH <RX &DOO

)RU 6HUFLFH

\$OO VDIHW\ PHVVDJHV ZLOO IROORZ WKH
HLWKHU WKH ZRUG 3'\$1*(5' 3:\$51,1*' 3&\$
3127,&('

7KXVH ZRUGV PHDQ

▲ '\$1*(5

\$QLPPLQHQWO\ KDJDUGRX
WKDW ZLOO UHVXOW LQ GH
LQMXU\

▲ :\$51,1*

\$SRWHQWLDQO\ KDJDUGRX
FRXOG UHVXOW LQ GHDWK
DQG RU GDPDJH WR SURSH

▲ &\$87,21

\$SRWHQWLDQO\ KDJDUGRX
PD\ UHVXOW LQ PLQRU RU
LQMXU\

&XVWRPHU 6HUFLFH

3DUWV /LVW

5HSODFHPHQW 3DUWV

(OHPHQW 5HSODFHPHQW

:DUUDQW\

1RWLFH

\$WWHQWLRQ LV FDOOHG W
VSHFLILHG SURFHGXUH RU
D VSHFLILF FRQGLWLRQ

,03257\$17 6\$)(7< ,1)250\$7,21
 5(\$' \$// ,16758&7,216 %())25(86,1*

▲ '\$1*(5

:\$7(5 7(03(5\$785(6(77,1*



6DIHW\ DQG HQHUJ\ FRQVHUYDWLRQ DUH IDFWRUV WR EH FRQ
 WHPHUDWXUH VHWWLQJ RI ZDWHU KHDWHU\ V WKHUPRVWDW
 FDQ FDXVH VHYHUH EXUQV RU GHDWK IURP VFDOGLQJ %H VX
 RXWOLQHG RQ WKH ODEHO SLFWXUHG EHORZ 7KLV ODEHO LV
 WKH WKHUPRVWDW DFFHVV SDQHO

7LPH 7HPSHUDWXUH 5HODWLRQVKLS

7HPSHUD	WXUH	PH	7R	3URGXFH	D	6HULRXV	%XU
f)	f&		0RUH	WKDQ	PLQXWHV		
f)	f&		ò	WR	PLQXWHV		
f)	f&		\$ERXW	VHFRQGV			
f)	f&		\$ERXW	VHFRQGV			
f)	f&		/HVV	WKDQ	VHFRQGV		
f)	f&		/HVV	WKDQ	VHFRQGV		
f)	f&		\$ERXW	ò	VHFRQGV		
f)	f&		\$ERXW	VHFRQGV			

7DEOH FRXUWHV\ RI 6KULQHUV %XUQ ,QVWLWXWH

7KH FKDUW VKRZQ DERYH PD\ EH XVHG
 LQ GHWHUPLQLQJ WKH SURSHU ZDWHU
 KRPH

▲ '\$1*(5 +RXVHKROGV ZLWK VPDOO FKLOGUHQ
 RU HOGHUO\ SHUVRQV PD\ UHTXLUH D f) f
 WKHUPRVWDW VHWWLQJ WR SUHYHQW FRQWDF

7KH WHPHUDWXUH RI WKH ZDWHU LQ
 UHJXODWHG E\ WKH DGMXVWDEOH VXU
 WKHUPRVWDW V ORFDWHG EHKLQG WH
 SDQHO V 'XDO HOHPHQW KHDWHUV K
 7R FRPSO\ ZLWK VDIHW\ UHJXODWLRQV
 ZHUH VHW DW f) EHIRUH WKH ZDWHU
 VKLSSHG IURP WKH IDFWRU\ &DQGL
 WR f) f&

5HVHW → W R Q
 7KHUPRVWDW GLD
 SRLQW HU
 WHPHUDWXUH

5HIHU WR WKH 2SHUDWL
 ,QVWUXFWLRQV LQ WKLY
 PDQXDO IRU GHWDLOHG
 LQVWUXFWLRQV LQ KRZ
 DGMXVW WKH WKHUPRV

127,&(0L[LQJ YDOYHV DUH DYDLODEOH IRU UHGXFHQJ SRLQW
 RI XVH ZDWHU WHPHUDWXUH E\ PL[LQJ KRW DQG FROG ZDWHU
 LQ EUDQFK ZDWHU OLQHV &RQWDFW D OLFHQVHG SOXPEHU RU WKH
 ORFDO SOXPELQJ DXWKRULW\ IRU ▲ '\$1*(5 +RXVHKROGV ZLWK VPDOO FKLOGUHQ
 RU HOGHUO\ SHUVRQV PD\ UHTXLUH D f) f WKHUPRVWDW VHWWLQJ WR SUHYHQW FRQWDFW

▲ DANGER

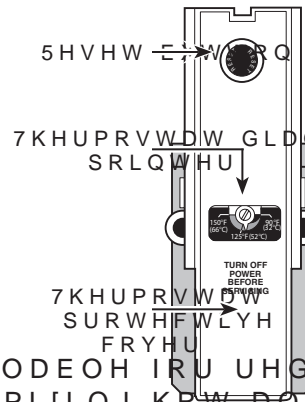
Water temperature over 125°F can cause severe burns instantly or death from scalds.

Children, disabled and elderly are at highest risk of being scalded.

See instruction manual before setting temperature at water heater.

Feel water before bathing or showering.

Temperature limiting valves are available, see manual.



,03257\$17 6\$)(7< ,1)250\$7,21
5(\$' \$// ,16758&7,216 %()25(86,1*

▲ :\$51,1*

)RU \RXU VDIHW\ WKH LQIRUPDWLRQ LQ WKLV PDQXDO
ILUH RU H[SORVLRQ HOHFWULF VKRFN RU WR SUHYHQ
OLIH

%H VXUH WR UHDG DQG XQGHUVWDQG WKH HQWLUH 8VH
WR LQVWDOO RU RSHUDWH WKLV ZDWHU KHDWHU ,W P
DWWHQWLRQ WR WKH 6DIHW\ ,QVWUXFWLRQV)DLOXUH
VHULRXV ERGLO\ LQMXU\ RU GHDWK 6KRXOG \RX KDYH
LQ WKLV PDQXDO RU KDYH DQ\ TXHVWLRQV 6723 DQG
WHFKQLFLDQ RU WKH ORFDO HOHFWULF XWLWLW\



)25 ,167\$//\$7,216 ,1 7+(67\$7(2) &\$/,)25*

&DOLIRUQLD /DZ UHTXLUHV WKDW UHVLGHQWLDO ZDWHU
VWUDSSHG WR UHVLVW IDOOLQJ RU KRUL]RQWDO GLVS
UHVLGHQWLDO ZDWHU KHDWHUV XS WR JDOORQ FDS
EUDFLQJ LQVWUXFWLRQV FDQ EH REWDLQHG IURP 2IIL
6XLWH 6DFUDPHQWR &\$ RU \RX PD\ FDOO
GHDOHU

+RZHYHU DSSOLFDEOH ORFDO FRGHV VKDOO JRYHUQ L
RI D FDSDFLW\ JUHDWHU WKDQ JDOORQV FRQVXOW
EUDFLQJ SURFHGXUHV



6\$)(7< 35(&\$87,216

+DYH WKH LQVWDOOHU VKRZ \RX WKH ORFDWLRQ RI WK
QHFHVVDU\ 7XUQ RII WKH FLUFXLW EHDNHU LI WKH Z
ILUH IORRG SK\VLFDQ GDPDJH RU LI WKH (&2 (PHUJH
RII

● 5HDG WKLV PDQXDO HQWLUH RORXU ZDWHU KHDWHU
RU RSHUDWLQJ WKH ZDWHU KHDWHU QGHG LQ WKLV PDQ

● 8VH WKLV DSSOLDQFH RQVWUXFWLRQV LQVWUXFWLRQV
SXUSRVH DV GHVFULEHG LQ WKLV 8VH DQG &DUH
ODQXDO ● \$OO UHSODFHPHQW SDUWV

● %H VXUH \RXU DSSOLDQFH SURSHU\ LQVWDOOHG
LQ DFFRUGDQFH ZLWK ORFDO FRGHV DQG WKH
SURYLGHG LQVWDOODWLRQ LQVWUXFWLRQV

● 'R QRWWHPSW WR UHSDLU RU UHSODFH DQ\ SDUW

● 'R QRWWHPSW WR UHSDLU RU UHSODFH DQ\ SDUW



5(\$' \$1')2//2:7+,6\$)(7<,1)250\$7,21
&\$5()8//<

6\$9(7+(6(,16758&7,216

,QVWDOOLQJ WKH ZDWHU KHDWHU

/RFDO ,QVWDOODWLRQ 5HJXODWLRQV

7KLV ZDWHU KHDWHU PXVW ZHDWKHWDVHGHGQWR WKH IOR
 DFFRUGDQFH ZLWK WKHEDLVWU XFOVDRQKHORFDOVKDW V
 FRGHV XWLOLW\ FRGHV DXWXPXODWRPXSODHU LW RU HOHY
 UHTXLUPHQWV RU LQ WKH OHEDVH FH RQDRHFDRI FOHDUD
 FRGHV WKH ODWHVW HGIORRRQ RI WKH 1DWLRQDO
 (OHFWULFDO &RGH ,W LV DYDLODEOH IURP VRPH
 ORFDO OLEUDULHV RU FDQ EH SXUFKDWHG IURP ,QWHUQDW
 WKH 1DWLRQDO)LUH 3URWHFWLRQSVYRFLDWRQ
 %DWWHU\PDUFK 3DUN 4XQFKH0ZDWHUKHDWHU PXVW EH
 ERRNOHW \$16, 1)3\$ WKH IORRU WR SUHYHQW VHHSDJH
 ,I WKH ZDWHU KHDWHU LRRVROHWHQVDDQEG WKH IORRU
 UHVWDXUDQW RU RWKHU DFFRWRQZKDNH 16)
 ,QWHUQDWLRQDO OLVWLQJ LV UHTXLUG LW PXVW

7KH ORFDWLRQ FKRVLQ IRU WKH ZDWHU KHDWHU PXVW WDNH LQWR

/RFDWLRQ

/RFDWH WKH ZDWHU KHDWHU RORRQ LQ VDDQ WKH ZDWHU KHD
 DV QHDU DV SUDFWLFDXQSRWKHWHWHG DUHDVDRUH QMDU D
 KHDWHG ZDWHU GHPDQGDSSOLXQFHVZDWHUHLJK WHPSHU
 KRWKZDWHUOLQHV FDQ ZDWHUHQHUXFKDQG ZRRG EXUQLQ
 SLOWV ERLOHUV RU IXUQDFHV +LJK WH
 3ODFH WKH ZDWHU KHDWHU HUHQVXFKDPDQGHU
 WKDW WKH WKHUPRVWDW DQG HOHPHQW DFFHV
 SDQHGV FDQ EH UHPRYHGDMR SHUPLWQWVFORRQ XQGHU
 DQG VHUYLFLQJ VXFK DVUKHPZDWHUKHDWHUHQV VVWURQJ H
 RU FKHFNLQJ FRQWUROVVXILFLHQWO\ VXSSRUW WKH ZHLJ
 ZDWHU KHDWHU ROFH LW LV ILOO
 7KH ZDWHU KHDWHU DQG ZDWHU OLQHV VKRXOG
 EH SURWHFWHG IURP IUHH]LQJ WHPSHUDWXUH

127.&('2_127XVH
 ILWWLQJV RQ WRS
 KDQGOHV RU OLIV

8QLW	8QLW	'LPHQVLRQV	6,QLSSHQ	SURIL	LPDWH
&DSDFLW	&DSDFLW	+HLJKWDPH	WHLJKW	XOO	:HLJKW
*DOORQ	*SHULDO	*DOORQV	OEY	OEY	
6					

+HLJKW LQFOXGHV IDFWRU\ LQVWDOOHG 7HPSHUDWXUH D

,QVWDOOLQJ WKH ZDWHU KHDWHU

7KHUPDO ([SDQVLRQ

'HWHUPLQH LI D FKHFN YDOYHL [WKVMVZDQV MUK HK HLQVHW ZQW/VUV
OLQH &KHFN ZLWK \RXU ORFDSU EDWXIWHXVQLFOLHVDV HJWF PQ \TKDFN
EHHQ LQVWDOOHG LQ WKH FRQG VZDWHU HUH OLLHQ HY DQ YH VFB QVIDQW
EDFN IORZ SUHYHQWHU RU LKHPDW LEHU SDFQVHR 17 DSHUPHVDV NJS-DQ
UHGXFLQJ YDOYH ZDWHU PHWUDSIRG ZQW/HUH SIRDWHHQHW [SDQVLRQ
FKHFN YDOYH ORFDWHG LQ WFKR FSRQGH QDWW HLQ LQKOH VZDQVLUH KFD
FDXVH ZKDW LV UHIHUHG WRFDQ BDKOR VSHG ZDWWXIHVVDV MOXPH
\$ FROG ZDWHU LQOHV OLQH ZSRKVRORF KWHFN KHDWHU URUWEDFON
IORZ SUHYHQWLRQ GHYLFH LVZUECHQRMGFWRUDNF DQVRSBQREO
ZDWHU V\WHP 7KH VXJJHVWHG PHWKRGRIFRQV
\$V ZDWHU LV KHDWHG LW H[SH[SDQVLRQ QRLQXWR DQGFVDQDQV
DQ LQFUHDVH LQ WKH SUHVXFRHBLZKWLQ UWQHQZHDVHWUZVHVQWRK
7KLV DFWLRQ LV UHIHUHG WRKDFN WYDORFD OUH [SDQVLRQKHLQ
,Q DQ 'RSHQ' ZDWHU V\WHP H[SDQVLRQV ZDQVILV KLFVKLJQHG Z
H[FHHGV WKH FDSDFLW\ RI WKLQ ZDQVHW KRHSUHHUVERZDV WKH V
EDFN LQWR WKH FLW\ PDLQ ZKWHUHWKHSUHLVYXQH WKKH DRYLHU
GLVVLSDWHG HOLPLQDWLQJ WKH UHSHDWHGR
\$ 'FORVHG ZDWHU V\WHP' KRZKWHU PHWKRGRVFRWUROOLQ
H[SDQGLQJ ZDWHU IURP IORZLQV DQVDFNDLQVFRQWKR & BQVDFW \RX
VXSSO\ OLQH DQG WKH UHVXZDWHU WKRSPDWHUHS DQVRELQJ
FDQ FUHDWH D UDSLQ DQG GDQVFRVSRVUHJUHQBQVHWKLV

,QVSHFW :DWHU +HDWHU

,QVSHFW WKH ZDWHU KHDWHU IRU SRVVLEOH GDPDJH &KHFN
EH FHUWDLQ WKH SRZHU VXSSO\ FRUUHVSRQGV WR WKH ZDWHU

7HPSHUDWXUH DQG 3UHVXUH 5HOLHI 9DOYH

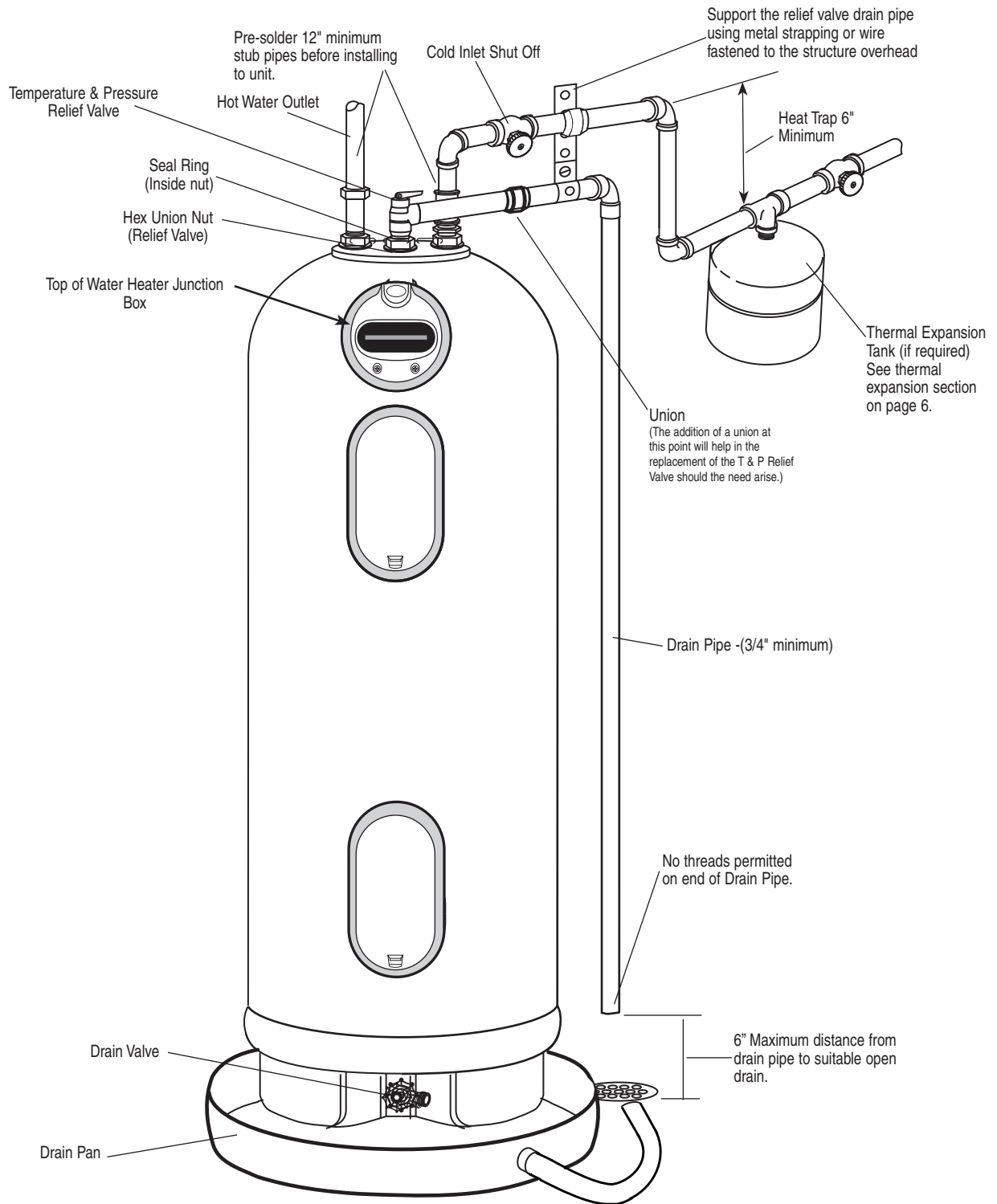
\$ QHZ FRPELQDWLRQ WHPSHUDWXUH DQG SUHVXUH UHOLHI YDOYH
9DOYHV DQG \$XWRPDWLF *DV 6KXW 2II 'HYLFHV IRU +RW :DWHU 6XSSO
DQG PXVW EH LQVWDOOHG LQ WKH RSHQLQJ SURYLGHG DQG PDUNHG
YDOYH RI DQ\ W\SH VKRXOG EH LQVWDOOHG EHWZHHQ WKH UHOLHI Y
LQVWDOODWLRQ RI UHOLHI YDOYHV

▲: \$51.1* 7KH SUHVXUH QHW EH OHVV WKDQ WKH IRU \$XWRPDWLF UHOLHI EXWLRQ
UDWLQJ RI WKH UHOLHI DWHU DV LQGLFDWHG XQW VEKHOUDWLRQ OHU WKDQ
QRW H[FHHG 36, ODEHO ORFDWHG RQ WKH UHOLHI DWHU DWHU WLSLWFK GRZ
.3\$ WKH PD[LXP ZRUDW %78+ WKH YDOYH WR DOORZ FRPSOHWH
SUHVXUH RI WKH ZDWHU KHDWHU DV JUDYLW\ RI WKH UHOLHI YDOYH D
PDUNHG RQ WKH UHOLHI DWHU RXWOHW RI WKH UHOLHI YDOYH
WR D VXLWDEOH RSHQ GDPDQ VR WKH DWHU WKH
GLVFKDUJH ZDWHU FDQQDWRU FRQWDFW DGHG RU FRQFHDOH
HOHFWULFDO SDUVV RU SHUVRQ DOGWRU HOLPLQDW
SRWHQWLDO ZDWHU GDPDQ WKH UHOLHI YDOYH
VKRXOG EH LQVWDOOHG LQ WKH G

9DFXXP 5HOLHI 9DOYH

127,&('R 127 UHFRRHYDFXXP UHOLHI YDOYH ZLWK SUHVXUH RU YDFXXP
RU WDP SHU ZLWK WKH YDFXXP LQVWDOOLQJ DWHU ZLWK WKH UHOLHI WLRV HTXDOL
UHOLHI YDOYH IRU DWHU LQVWDOOHG
'RLQJ VR ZLOO YRLG WKH ,W LV QRW UHFRRPPHQGHG WR SXO
PDQXIDFWXUH\ ZDWHU\
7KH FROG ZDWHU LQOHWWKH XQWDFXXP UHOLHI
YDOYH FRQQHFWHG WR LW &HUWDLQ FRQGLWLRQV
LQ WKH ILHOG PD\ SURGXFDYDFXXP VR SXO QHGHG RQ WKH X
DWLYH SUHVXUH FRQGLWLRQV WKH UHOLHI DWHU +HDV
KHDWHU\V WDN 7KLV UHOLHI DWHU WKH UHOLHI
FDXVH WKH WDN WR IDLPSH UHOLHI YDOYH
YDOYH SURYLGHV D PHDQV WR HOLPLQDWH WKH

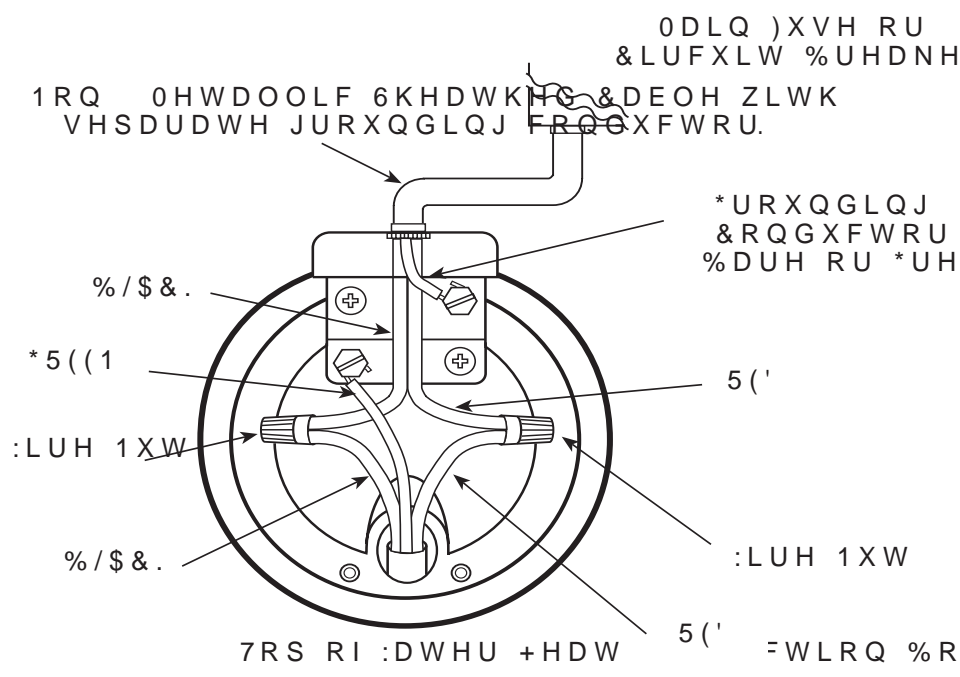
7\SLFDO , QVWDOODWLRQ



, QVWDOOLQJ WKH ZDWHU KHDWHU

(OHFWULFDO & RQQHFWLRQV

▲ & \$87.21 7KH SUHVHOFFH
 RI ZDWHU LQ WKH SLBQJ DQG
 ZDWHU KHDWHU GRHV QRW SURYLGH TXDOLIL 1 3 V KHDWKHG FDEOH DSSU
 VXIILFLHQW FRQGXFWRU IRU D
 JURXQG 1RQ PHWDOOLF ODWHVW HGLWLRQ RI 12 WK RQDW (OHFWULFDO
 GLHOHFWULF XQLRQV JEHLEGH 1) 3\$
 FRQQHFWRUV HWF FDQ FDXVH WKH
 ZDWHU KHDWHU WR EXHURGHVUHQHOV PXV 2 FROPHWDOOLF V KHDWK
 LVRODWHG FRGHV RU ODWHVW HGLWLRQ RYHU 400 FROGLW RU
 (OHFWULFDO & RGH FDEOH QRW DSSURYHG I
 JURXQG FRQGXFWRU VKI
 7KH ZDWHU KHDWHU LV FROPHWDOOLF ZLULQJ WR
 WKH MXQFWLRQ ER[LQVLGH MDENHV DW WKH KHSV
 IURQW RI WKH ZDWHU KHDWHU WHUPLQDOV 4 WKH IRU
 " RU " HOHFWULFDO ILWV LQ SURYLGHG
 IRU ILHOG ZLULQJ FRQQHFWLRQV
 7KH YROWDJH UHTXLUPHQWV DQG ZDWWDJH
 ORDG IRU WKH ZDWHU KHDWHU DUH VSHFLILHG
 RQ WKH UDWLQJ SODWH RQ WKH IURQW RI WKH
 ZDWHU KHDWHU



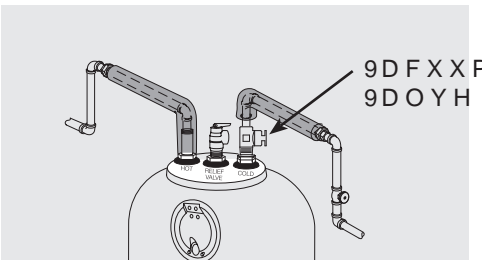
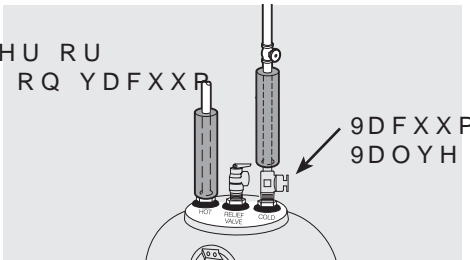
, QVWDOOLQJ WKH ZDWHU KHDWHU

, QVXODWLRQ %ODQNHWV

▲: \$51,1* , I ORFDO IHQHUDO SXEOLF IRU HIWV \$87.21 FRYHU RYDO FRGHV
FRGHV UHTXLUH HIWVHODO HDWHUV DUH QRV DQFHWR WKH ZDWHU
DSSOLFDWLRQ RI QVXODWLRQ DQFNHWV WKH ZDWHU
EODQNHV NLWV WKH ZDWHU QVXODWLRQ QVXODWLRQ QVXODWLRQ
PDQXIDFWXUHU V UHTXLUH WKH ZDWHU QVXODWLRQ QVXODWLRQ QVXODWLRQ
LQFOXGHG ZLWK WKH ZDWHU QVXODWLRQ QVXODWLRQ QVXODWLRQ
EH FDUHIXOO\ IROORZHU PHHWV RU H[FHHGV WKH ZDWHU QVXODWLRQ
\$SSOLDQFH (QHUJ\ & RQVHU) QVXODWLRQ QVXODWLRQ QVXODWLRQ
VWDQGDUGV ZLWK UHVSHFW WR WKH ZDWHU QVXODWLRQ QVXODWLRQ
VWDQGE\ ORVV UHTXLUHPHQWV QVXODWLRQ QVXODWLRQ QVXODWLRQ
LQVXODWLRQ EODQNHV QVXODWLRQ QVXODWLRQ QVXODWLRQ
7KH PDQXIDFWXUHU V ZDWHU QVXODWLRQ QVXODWLRQ QVXODWLRQ
FRYHU DQ\ GDPDJH RU GHYLFHV WKH ZDWHU QVXODWLRQ QVXODWLRQ
LQVWDOODWLRQ DWWDFKHU WKH ZDWHU QVXODWLRQ QVXODWLRQ
DQ\ W\SH RI HQHUJ\ VDYLOJ RU WKH ZDWHU QVXODWLRQ QVXODWLRQ
XQDSSURYHG GHYLFHV WKH ZDWHU QVXODWLRQ QVXODWLRQ
DXWKRULJHG E\ WKH PDQXIDFWXUHU WKH ZDWHU QVXODWLRQ QVXODWLRQ
RU LQ FRQMXQFWLRQ ZLWK WKH ZDWHU QVXODWLRQ QVXODWLRQ
7KH XVH RI XQDXWKRULJHG WKH ZDWHU QVXODWLRQ QVXODWLRQ
GHYLFHV PD\ VKRUWHQ WKH ZDWHU QVXODWLRQ QVXODWLRQ
KHDWHU DQG PD\ HQGDQJHU OLIH DQG SURSHUW\ WKH ZDWHU QVXODWLRQ
7KH PDQXIDFWXUHU GLVFODLPV DQ\ UHVSQRVLELOLW\ IRU VXFK ORVV RU LQMXU\
UHVSQRVLELOLW\ IRU VXFK ORVV RU LQMXU\ UHVXOWLQJ IURP WKH XVH RI VXFK
XQDXWKRULJHG GHYLFHV

+RW DQG &ROG 3LSH , QVXODWLRQ , Q

1RWLFHQRW FRYHU RU
EORFN RSHQLQJ RQ YDFXX
YDOYH



7\SLFDO YHUWLFDO SLSLQJ DL7\SLFDO KRULJRQWDO SLSLQJ DUUD
)RU LQFUHDVHG HQHUJ\ BOMHBMHQIFQVWDFHQ WKH LQVX
ZDWHU KHDWHUV KDYH EWRQVWXVISOQHWZLWKLQV D
WZR VHFWRQV RI SLSRXLQV XQDXWKRULJHG

,QVWDOODWLRQ &KHFNOLVW

\$:DWHU +HDWHU /RFDWLRQ

- &ORVH WR DUHD RI KHDWHG ZDWHU GHPDQG
- ,QGRRUV DQG SURWHFWHG IURP IUHH]LQJ
WHPSHUDWXUHV
- \$UHD IUHH RI IODPPDEOH YDSRUV
- 3URYLVLQRQV PDGH WR SURWHFW DUHD IURP ZDWHU
GDPDJH
- 6XIILFLHQW URRP WR VHUFLH KHDWHU

% :DWHU 6XSSO\

- :DWHU KHDWHU FRPSOHWHO\ ILOOHG ZLWK ZDWHU
- \$LU SXUJHG IURP ZDWHU KHDWHU DQG SLSLQJ
- :DWHU FRQQHFWRQV WLJKW DQG IUHH RI OHDNV

& 5HOLHI 9DOYH

- 7HPSHUDWXUH DQG 3UHVVXUH 5HOLHI 9DOYH
SURSHUO\ LQVWDOOHG DQG GLVFKDUJH OLQH UXQ WR
RSHQ GUDLQ
- 'LVFKDUJH OLQH SURWHFWHG IURP IUHH]LQJ

' :LULQJ

- 3RZHU 6XSSO\ YROWDJH DJUHHV ZLWK ZDWHU
KHDWHU UDWLQJ SODWH
- %UDQFK FLUFXLW ZLUH DQG IXVLQJ RU FLUFXLW
EUHDNHU RI SURSHU VL]H
- (OHFWULFDO FRQQHFWRQV WLJKW DQG XQLW SURSHUO\
JURXQGHG

2SHUDWLQJ WKH ZDWHU KHDWHU

6DIHW\ 3UHFDXWLRQV

- A** 'R WXUQ RII SRZHU WR ZDWHU KHDWHU LI FROG
LV KDV EHHQ VXEMHFWHG RU VHUYLPHQW SHUIRUP
ILUH IORRG SK\VLFDQ GDPDJH
- B** 'R 1RW WXUQ RQ ZDWHU KHDWHU LI FROG
LV ILOOHG ZLWK ZDWHU SRZHU
- C** 'R 1RW WXUQ RQ ZDWHU KHDWHU LI FROG
ZDWHU VXSSO\ VKXW RII YDOYH LV FORVHG
- D** ,I WKHUH LV DQ\ GLILFXOW\ LQ
XQGHUVWDQGLQJ RU IROORZLQJ WKH
2SHUDWLQJ ,QVWUXFWLRQV RU WKH

6DIHW\ & RQWUROV

127,&(,W LV LPSRVH ZDWHU KHDWHU LV FRXUSHWZLHWKHDPSHUDWXUH
WKDW WKH ILEHUJDFE\ LQDQLRQWKHUPRV 1 W DOG WHP SHUDWXUH
LV UHSODFHG WR DDFWDOQ ZDWHU (&2 WKH WHP ORFDWHG
KHDWHU V SHUIRUPDFH WKH KHDWLQJ HOHPHQW LQ WKH XSSHU
FRWURO ER[,I IRU DQ\ 2 HDPRQ WKH ZDWHU DF
WHP SHUDWXUH EHFRPHV H\BGLVLOXODWLQRQWRP V
▲ :\$51,1* ,I WKH ZDWHU WHP SHUDWXUH OLPLWLQJ FRQWURO (&2 EUHDNV
KHDWHU KDV EHHQ VXEMHFWHG RU UFXLW WR VKH KHDWLQJ HOHPHQW
IORRG ILUH RU SK\VLFDQ FRQWURO RSHUV 7 KH WKHUPRVWDWV SURW
WXUQ RII SRZHU DQDZDWHUWR V KR XOG QRW EH UHPRYH
WKH ZDWHU KHDWHU ▲ &\$87,21 7KH FDXVH RI WKH KLJK
'R QRW RSHUDWH WHP SHUDWXUH FRQGLWLRQ 4 XSHUDWHQWKWLDWKH
KHDWHU DJDLQ XQWLODOWKHDVHUYLPHWHFKQ DFFHQV SDQHO V EHIRUH
EHHQ WKRURXJKOFRUHFHWHGDFWLRQ PXVW EH WDNHQWHP SHUDWXUH KI
TXDOLILHG VHUYLPHSHUIRUPDWHU KHDWHU LQ VHUYLPH DJDLQ

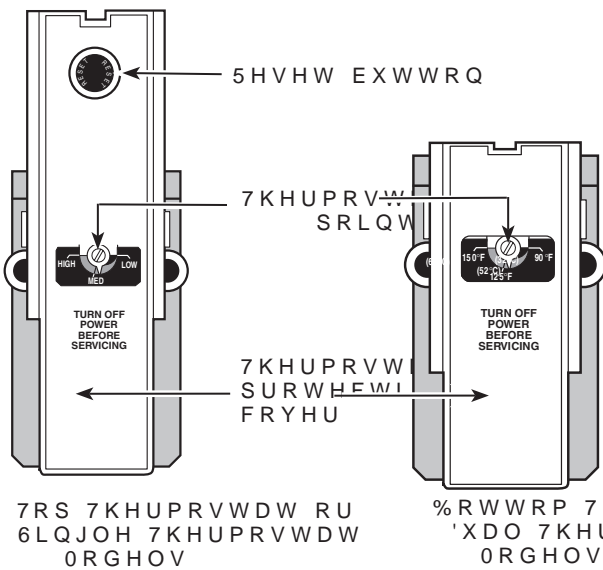
:DWHU 7HPSHUDWXUH 6HWWLQJ

7KH WHP SHUDWXUH RI WKH ZDWHU WHP SHUDWXUH WDKWX ZDWHU HLE R
▲ '\$1*(5 7KHUH LV KHDWHU FDQ EH UHJXODFDHG FEDXWHWVHLYHUW KH XUV
ZDWHU VFDQG SRWHQW SHUDWXUH GLDO RI WKH DQG XUVW EVOHU W XURDFH
WKHUPRVWDW LV VHPXVWKH WKHUPRVWDW ZDWHU WHP SHUDWXUH WDKWX
+RXVHKROGV ZLWK WPDQHW DFFHV SDQHO WKH ODEHO RQ WKH ZDWHU
FKLOGUHQ GLVDEOHG RU HOGHUO\ LV ORFDWHG RQ WKH ZDWHU
SHUVRQV PD\ UHTXL\XDO HOHPHQW KHDWHU WDKWXVW R
f & RU ORZHU WKHUPRVWDWV WKHUPRVWDW DFFHV SDQH
VHWWLQJ WR SUHYHQW FRQDFW ZLWK 0 LLOJ YDOYHV IRU UHGXF
+27 ZDWHU 6DIHW\ DQG HQHUJ\ FRQVWDWV WHP SHUDWXUH WDKWXVW R
WR EH FRQVLGHUHG ZKHQ WHP SHUDWXUH WDKWXVW R
WHP SHUDWXUH VHWWLQJ DYDOLDEOH WHP SHUDWXUH WDKWXVW R
▲ '\$1*(5 7KH ZDWHU WKHUPRVWDW V 7KH ORZHU WHP SHUDWXUH WDKWXVW R
KHDWHU ZLOO H\SHUWVWKH WKH JUHDWHU WKHUPRVWDW WDKWXVW R
KLJKHV ZDWHU WHP SHUDWXUH FRVWV LQIRUPDWLRQ
ILUVV WLPH WKH XQLW LV RSHUDWHG 7KH FKDUW RQ WKH QH[W S
DV LV LV FRQGLWLRQHG DQG WKH VDIHW\ UHJXODWLQJ WKH WHP SHUDWXUH WDKWXVW R
WHP SHUDWXUH WDKWXVW V DUH IDFWRUV WHP SHUDWXUH WDKWXVW R
OHVV ZKHUH ORFDO FRGHV UHTXLUH &DQDGLDQ
PRGHV DUH VHW WR f) f & 7KHVH
DUH WKH UHFRPPHQGHG VWDUWLQJ SRLQWV

, I DGMXVWPHQW LV QHFHVVDU\«

7R LQFUHDVH WKH ZDWHU WHPSHUDWXUH RW WKH SRZHU WR WKH Z
LV UHFRPPHQGHG WR DGMXVW WKH ERWRP
WKHUPRVWDW RQO\

7R GHFUHDVH ZDWHU WHPSHUDWXUH DQG
WKHUPRVWDWV RQ WKH XQLW QHHG WR EH
DGMXVWHG WR WKH ORZHU VHWWLQJ



7RS 7KHUPRVWDW RU
6LQJOH 7KHUPRVWDW
ORGHV

%RWRP 7KHUPRVWDW
'XDO 7KHUPRVWDW
ORGHV

/2: § f) f & :DWHU 7HPSHUDWXUH
0(' § f) f & :DWHU 7HPSHUDWXUH
+,*+ § f) f & :DWHU 7HPSHUDWXUH

,W LV LPSRUWDQW WKDW WKH ILEHUJODV
UHSODFHG WR PDLQWDLQ ZDWHU KHDWHU
VDIHW\

1. 'S1*(5 0DNH FHUWDLQ SRZHU WR
WKH ZDWHU KHDWHU LV 2)) EH
UHPRYLQJ DQ\ MDFNHW DFFHVV SD
DQ\ UHDVRQ)DLOXUH WR GR VR
LQ SURSHU\ GDPDJH ERGLO\ LQ
GHDWK
2. 5HPRYH WKH VQDS LQ DFFHVV
FRYHU ,QVHUW ILQJHU LQWR
WKH ERWRP RI WKH FRYHU DQ
UHOHDVH WKH ODWFK 3XOO IH
UHPRYH WKH FRYHU DQG LQVXO
3. 5HPRYH WKH VFUHZV WKDW
WKH MDFNHW DFFHVV SDQHO W
5HPRYH WKH MDFNHW DFFHVV S
LQVXODWLRQ H[SRVLQJ WKH WK
8VH FDUH ZKHQ UHPRYLQJ LQVX
SDGV
4. 7KH WKHUPRVWDW SURWHFWLY
QRW EH UHPRYHG
5. 8VLQJ D VPDQO VFUHZGULYHU
WKHUPRVWDW GLDO SRLQWHU V
WHPSHUDWXUH E\ WXUQLQJ WK
QRW SU\ RU PRYH WKH ZKLWH S
SRLQWHU
6. 5HSODFH WKH UHFWDQJXODU LQ
WKHUPRVWDW DFFHVV SDQHO
SDQHO WR WKH XQLW XVLQJ WK
SURYLGHG 7LJKWHQ WKH VFU
VQXJ
7. 5HSODFH WKH DFFHVV SDQHO F
LQVXODWLRQ DQG VQDS LQ SRV
V SHUIRUPDQFH DQG
8. 7XUQ RQ WKH SRZHU WR WKH Z

7LPH 7HPSHUDWXUH 5HODWLRQVKLS LQ 6

7HPSHUDWXUH	7LPH 7R 3URGXFH D 6HULRXV %XUQ
f) f &	ORUH WKDQ PLQXWHV
f) f &	WR PLQXWHV
f) f &	\$ERXW VHFRQGV
f) f &	\$ERXW VHFRQGV
f) f &	/HVW WKDQ VHFRQGV
f) f &	/HVW WKDQ VHFRQGV
f) f &	\$ERXWVHFRQGV
f) f &	\$ERXW VHFRQGV

7DEOH FRXUWHV\ RI 6KULQHUV %XUQ ,QVWLWXWH

%HIRUH <RX &DOO)RU 6HUYLEFH«



7URXEOHVKRRWLQJ 7LSV
 6DYH WLPD DQG PRQH\ 5HYLHZ WKH FKDUW RQ WKLV SDJH ILUVW
 DQG \RX PD\ QRW QHHG WR FDOO IRU VHUYLEFH

3UREOHP	3RVVLEOH &DXVHV	:KDW WR 'R
5XPEOLQJ	Q:DWHU FRQGLWLRQV D EXLOG XS RI VFDOH R RQ WKH KHDWLQJ HO	• Q 5 R R B Y K R B G F F V H D Q WKH KHDWL & R Q V D H U D G X S R V L W H G V H U Y L F H H P H Q W V
5HOLHI YDO GXFLQJ SR QRLVH RU	YUHSVRUH EXLOG XS SLSLQVLRQ LQ D FOR GUDLQLQJ	• FDXLWGLA\ DCKXQDFEHSW DEOH FRQ V H X W W E H P F R U U H F W H G & R Q W D F W S O L H U R U S O X P E L Q J F R Q W U D F W F R U U H F W W K L V ' R Q R W S O X J W R X W O H W
1RW HQRXJ KRW ZDWHU	KDRUHQRXVDJH PD\ KDYH FDSDFLW\ RI WKH ZDWHU \$ IXVH LV EORZQ RU WULSSHG (OHFWULF VXSSO\ PD 7KH WKHUPRVWDW PD /HDNLQJ RU RSHQ KR (OHFWULF VHUYLEFH W LQWHUUXSWHG ,PSURSHU ZLULQJ 0DQXDO UHVHW OLPL &ROG ZDWHU LQOHW FROGHU GXULQJ WKH 7RS HOHPHQW GHIHF %RWWRP HOHPHQW G TXDQWLW\ RI KRW ZDWHU	• H : D L F M H B H G W W K H Z D W H U K H D W H U W W H D Q K B B W R W P D O G H P D Q G • F S L U S F O D M H E I X M B N R H U U H V H W F L U F X I • E O D R H V X U H H O H F W U L F V X S S O \ W D Q G G L V F R Q Q H F W V Z L W F K L I X V 21 SRVLWLRQ • B H H W W K H W R H P O R D W X U H U H J X O D Z D W H U K H D W H U V H F W L R Q R I W K W Z D W H U X D X F B W O I D X F H W V D U H F W R & R Q W B R W H W K D E R F D O H O H F W U L • 6 H H W K H , Q V W D O O L Q J W K H Z D W I R I W K L V P D Q X D O W 6 H H W K H 7 H P S H U D W X U H U H J X O D Z D W H U K H D W H U V H F W L R Q R I W K • W H P S W U D W X B H P D O E F K H F R O G H U I Z L V D W H U V F R Q W K V W R K H D W • L S H S O B F K R W B D W G W • H H F S O D F H V P O H P H Q W • V B M H W R R H K L J K S H U D W X U H U H J X O D Z D W H U K H D W H U V H F W L R Q R I W K • X G B W Q R W D F L O V F R Q J H U V D Q G L Q V X O
:DWHU LV W	RRHKWVHUPRVWDW LV &RYHUV DQG RU LQ	

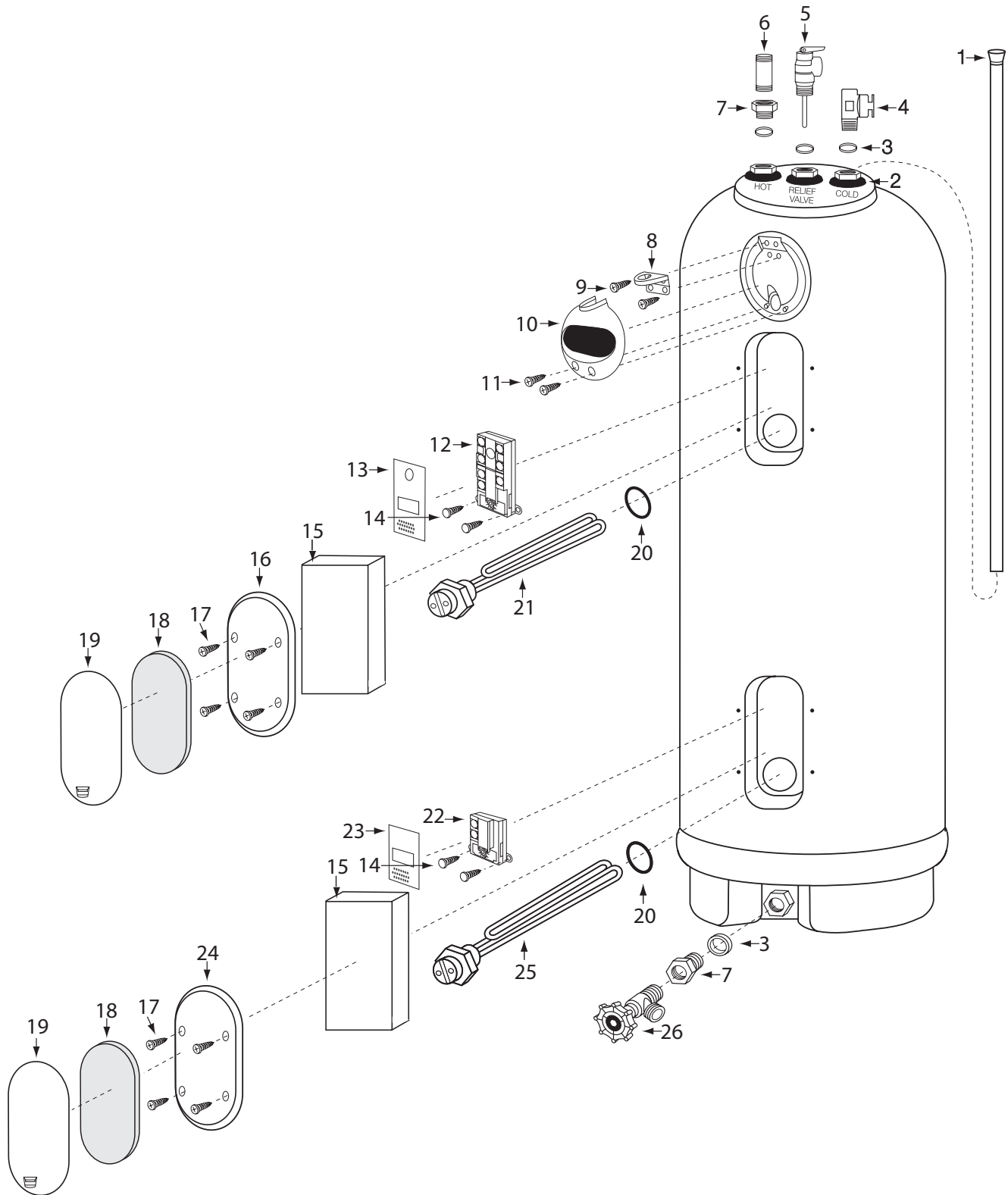
▲ &\$87,21)RU \RXU VDIHW\ '2 127 DWWHPSW UHSDLU RI HOHPFWULFDO ZLULQJ WK
 GHYLEFHV 5HIHU UHSDLUV WR TXDOLILHG VHUYLEFH SHUVRQQHO

5HSODFHPHQW 3DUWV

.H\ 1R	'HVFULSWLRQ
	'LS 7XEH
	*URPPHW /DUJH
	*URPPHW 6PDOO
	6HDO 5LQJ /DUJH
	6HDO 5LQJ 6PDOO
	9DFXXP 9DOYH \$VVHPEO\
	7HPSHUDWXUH DQG 3UHVXUH 5HOLHI 9DOYH
	1LSSOH 137 [
	5HGXFHU %XVKLQJ 137 [137
	.QRFN 2XW %UDFNHW
	6FUHZ [
	-XQFWLRQ %R[&RYHU
	6FUHZ [
	8SSHU 7KHUPRVWDW
	8SSHU 3URWHFWRU
	6FUHZ [
	7KHUPRVWDW &DYLW\ ,QVXODWLRQ
	8SSHU \$FFHV 3DQHO
	6FUHZ [
	\$FFHV 3DQHO &RYHU ,QVXODWLRQ
	\$FFHV 3DQHO &RYHU
	(OHPHQW *DVNHW
	8SSHU +HDWLQJ (OHPHQW ,QFOXGHV .H\ 1R
	/RZHU 7KHUPRVWDW
	/RZHU 3URWHFWRU
	/RZHU \$FFHV 3DQHO
	/RZHU +HDWLQJ (OHPHQW ,QFOXGHV .H\ 1R
	'UDLQ 9DOYH
	&DS 6FUHZ
	/RFN :DVKHU
▲	(OHPHQW :UHQFK
▲	3LSH :UDS (QHUJ\ .LW
▲	8VH DQG &DUH 0DQXDO
▲	1RW ,OOXVWUDWHG

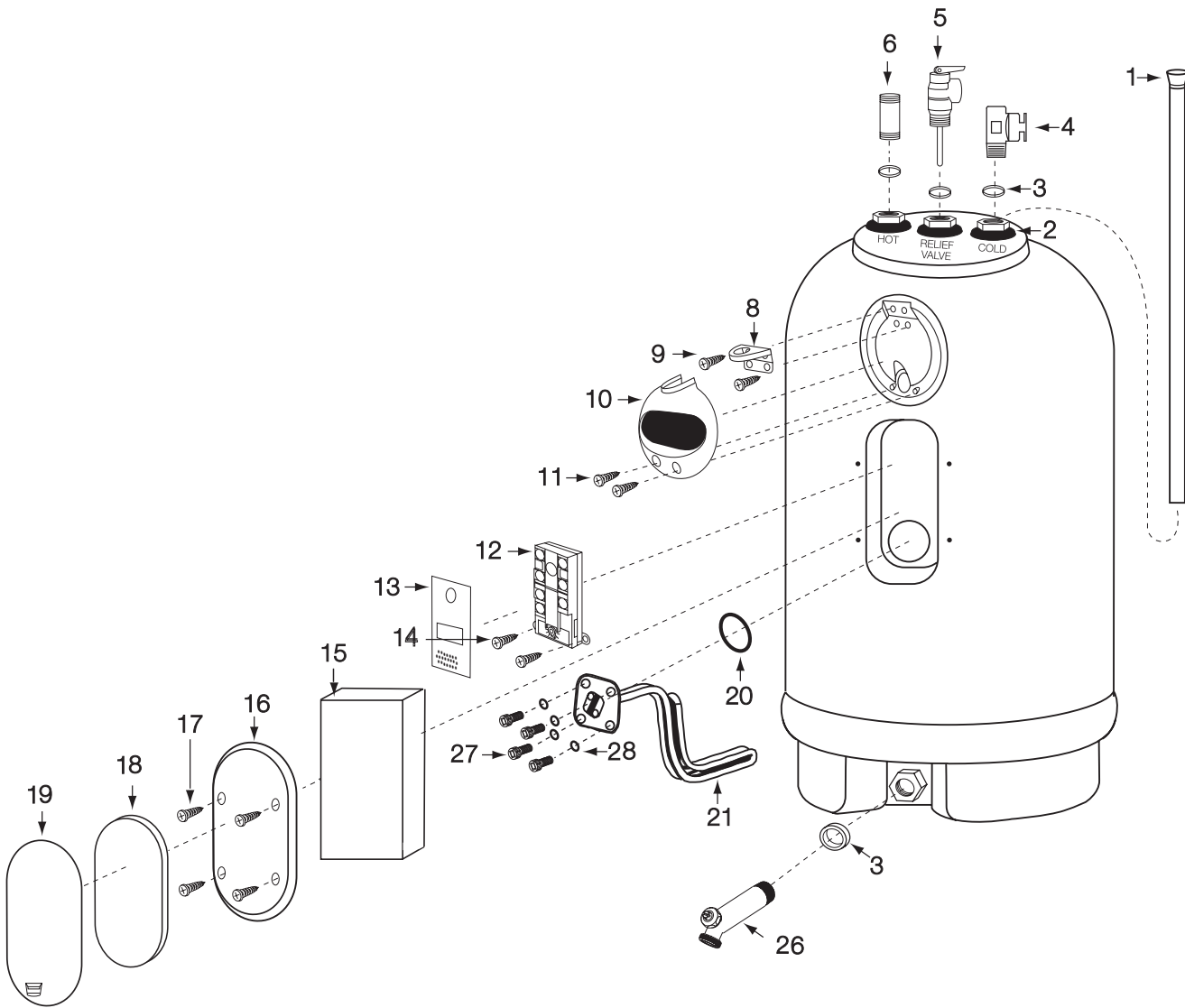
5HSODFHPHQW 3DUWV

JDOORQ PRGHOV

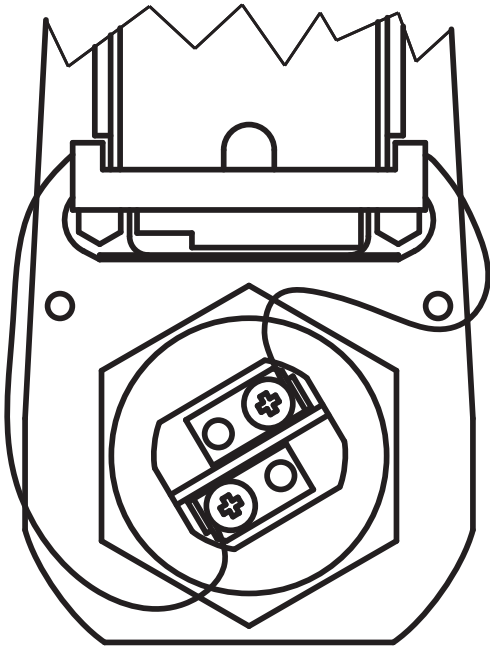


5HSODFHPHQW 3DUWV

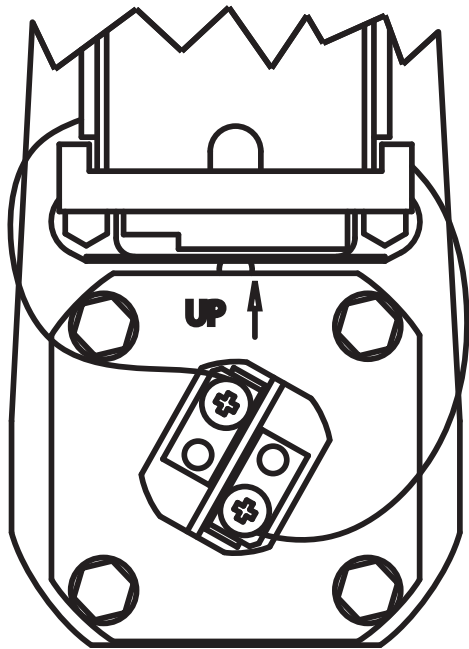
JDOORQ PRGHOV



(OHPHQW 5HSODFHPHQW , QVWUXFWLRQ



*\$//21



*\$//21

7XUQ RII SRZHU WR WKH QVWUXFWLRQ XQLW DUH FOHD
 ▲ '\$1*(5 0DNH FHUWDLQ SRZHU WKUHDGV ZLWK D
 WR WKH ZDWHU KHDWHU LV 32))
 EHIRUH UHPRYLQJ DQ\ WDFN (HW7XFFHOMPHQWV
 SDQHO IRU DQ\ UHDVROVR) W KEXXS SHU DQG ORZ
 WR GR VR FRXOG UHVXOWU W DLSJ RSHU WHSODFHF
 GDPDJH ERGLO\ LQMXPURUWHWWDWRK WKH SRUW
 DUH LQVWDOOLQJ LW
 2SHQ D KRW ZDWHU IDXFHW DQG DOORZ
 ZDWHU WR IORZ XQWLO WKH ZDWHU LV FEROG
 HOHPHQW JDVNHW LV LQ
 (PSW\ WKH ZDWHU RXW WZLWKWKHQLW E\
 IROORZLQJ WKH LQVWUXFWLRQV JLYHO LQ
 WKH 3'UDLQLQJ WKH :DWHU HDWU WKH QHZ HOHPH
 VHFWLRQ VHH SDJH WDNK DQSDWLVKWHQ ZLV
 VRFNHW WR ± IW OE
 5HPRYH WKH VQDS LQ DFFHVVORQKOLWV LQVWD
 FRYHU ,QVHUW ILQJHUZILQKRWKDWFUKURZORQRWK
 WKH ERWWRP RI WKH FR3BU XDLQ JS WKK XSPH ER
 WR UHOHDVH WKH ODWFZDV 3MOO WKLZDZGUDHGH
 UHPRYH WKH FRYHU DQG LQVXODWLRQ
 127,&(R QRW RYHU WL
 5HPRYH WKH VFUHZVHOKIDPQWFXRHRQRW DSSC
 WKH MDFNHW DFFHVV SDQHVOVER WKH XQLW
 5HPRYH WKH MDFNHW DEFHVV SDQHO DQG
 LQVXODWLRQ H[SRVLQJ WKH WKHUPRVWDWZL
 DQG HOHPHQW 8VH FDUHFKHQ DQG WLJKWHQ
 UHPRYLQJ WKH LQVXODWLRQSDGV
)OLS XS WKH ERWWRP RI WKH SODVWWRQRIWK
 SURWHFWRU XS WR H[SRVH WKH XHFWRU RI WK
 KHDWLQJ HOHPHQW LQVWUXFWLRQV RQ UHIL
 /RRVHQ WKH WHUPLQDO \$IWHU WKH XQLW LV FRP
 HOHPHQW WR GLVFRQQHFHW WKDWHU DQG XQGHU
 DQG VOLJKWO\ EHQQ WKH HOHPHQW LV SURSH
 WKH HOHPHQW QR ZDWHU OHDNDJH
 8VLQJ D ZUHQQK RU VRFNHWRILW WKH
 LQFK KH[QXW UHPRYH WKH ROG KHDWLQJ H
 HOHPHQW)RU DQG 5HSODFHWKHWHFWDQJX
 XVH D LQFK VRFNHW DQG WKHUPRVWDW DFFH
 WKH EROWV DQG ORFWKZDS3EHO RQR WKKH XQL
 HOHPHQW VFUHZV SURYLGHG 7LJJ
 127,&(\$Q HOHPHQW ZUHQQK LV
 DYDLODEOH IRU SXUFKDSHSWKHURWKH DFFHVV S
 ZDWHU KHDWHU GLVWULLEQWLRQ DQG VQDS
 127,&(0DNH VXUH WKH XULQRDGS/RZHU WR WKH

LIMITED WARRANTY

Marathon Electric Water Heaters

EXCLUSIVE WARRANTY – LIMITATION OF LIABILITY

This Limited Warranty is the only Warranty for this unit given by Water Heater Innovations, a subsidiary of Rheem Manufacturing Company. No one is authorized to make any other warranties on our behalf. ANY IMPLIED WARRANTIES, INCLUDING MERCHANTABILITY, OR FITNESS FOR A PARTICULAR PURPOSE, SHALL NOT EXTEND BEYOND THE APPLICABLE WARRANTY PERIODS SPECIFIED PREVIOUSLY. RHEEM'S SOLE LIABILITY, WITH RESPECT TO ANY DEFECT, SHALL BE AS SET FORTH IN THIS LIMITED WARRANTY, AND ANY CLAIMS FOR INCIDENTAL OR CONSEQUENTIAL DAMAGES (INCLUDING DAMAGE FROM WATER LEAKAGE) ARE EXCLUDED. Some states do not allow limitations on how long an implied warranty lasts, or for the exclusion of incidental or consequential damages, so the above limitations or exclusions may not apply to you.

This Limited Warranty gives you specific legal rights, and you may also have other rights, which vary from state to state.

We suggest you immediately complete the information below and retain it in the event warranty service is needed. Reasonable proof of the date of installation of your water heater may be required to establish its "in-warranty" status. Otherwise, the Effective Date of this Limited Warranty will be the date of manufacture of the water heater plus ninety (90) days.

GENERAL

Water Heater Innovations, Inc. warrants its products to be free from factory defects in materials and workmanship, under normal use and service, for the Applicable Warranty Period. At its option, Water Heater Innovations will repair or replace the defective water heater, or defective component part(s), in accordance with the terms of this Limited Warranty, if it fails in normal use and service during the Applicable Warranty Period. The replacement water heater must be manufactured by Water Heater Innovations. The replacement component part(s) must be Water Heater Innovations authorized component part(s). The replacement unit will be warranted only for the unexpired portion of the original unit's Applicable Warranty Period.

WARRANTY EXCLUSIONS

This Limited Warranty will **not** cover:

- a) Service trips to your home to teach you how to install, use, or maintain this water heater or to bring the water heater installation into compliance with local building codes and regulations.
- b) Damages, malfunctions or failures resulting from failure to install the water heater in accordance with applicable building codes/ordinances or good plumbing and electrical trade practices.
- c) Damages, malfunctions, or failures resulting from improper installation or failure to operate and maintain the water heater in accordance with the manufacturer's instructions provided.
- d) Performance problems caused by improper sizing of the water heater or electric service voltage, wiring, or fusing.
- e) Damages, malfunctions, or failures caused by operating the water heater with modified, altered, or unapproved parts installed.
- f) Damages, malfunctions, or failures caused by abuse, accident, fire, flood, freeze, lightning, acts of God, and the like.
- g) Tank failures (leaks) caused by operating the water heater in a corrosive or contaminated atmosphere.
- h) Damages, malfunctions, or failures caused by operating the water heater with an empty, or partially empty, tank (also known as "dry firing").
- i) Damages, malfunctions, or failures caused by operating the unit at water temperatures exceeding the maximum setting of the operating, or high limit, control.
- j) Tank failures caused by operating the water heater when it is not supplied with potable water, free to circulate at all times.
- k) Damages, malfunctions or failures caused by subjecting the tank to pressures greater than those shown on the rating label.
- l) Damages, malfunctions or failures resulting from the use of any attachment, including any energy saving device, not authorized by Water Heater Innovations.
- m) Units installed outside the fifty states (and the District of Columbia) of the United States of America and the provinces of Canada without prior authorization from Water Heater Innovations.
- n) Units that have had their rating labels removed. A water heater should not be operated if the rating label is removed.

LABOR, SHIPPING, AND PROCESSING COSTS

This Limited Warranty does **not** cover any **labor expenses** for service, repairs, reinstallation, permits, or removal and disposal of the failed water heater, or defective component part(s). All such expenses are your responsibility.

Water Heater Innovations will pay the **transportation costs** for an "in-warranty" replacement water heater, or "in-warranty" replacement component part(s), to a convenient delivery point (selected by Water Heater Innovations) near the place the original water heater, or original component part(s), is located. You must pay any local freight charges, including the cost of returning the failed water heater, or defective component part(s) to a convenient shipping location (selected by Water Heater Innovations).

Water Heater Innovations does **not** authorize, recommend, or receive any benefit from any **claims processing or similar fees** charged by others to process warranty claims for any Water Heater Innovations water heater or component part(s). Water Heater Innovations will **not** reimburse any party for these, or any other, fees not specifically covered in this Limited Warranty document.

THE EFFECTIVE DATE

The Effective Date of warranty coverage (or the beginning of the Applicable Warranty Periods) is the date of installation of the water heater, if properly documented. If you are not able to provide the documentary proof of the date of original installation, the Effective Date will be the date of manufacture of the water heater plus 90 days.

APPLICABLE WARRANTY PERIODS

Category	Typical Application	MR, CMR, & MTS Series		MHD Series	
		Tank	Parts	Tank	Parts
Residential: a single family dwelling	<ul style="list-style-type: none"> Owned by the original purchaser with proof of purchase 	LIFETIME	6 YEARS	10 YEARS	5 YEARS
	<ul style="list-style-type: none"> The original purchaser does not have proof of purchase; or Home is not owned by the original purchaser 	15 YEARS			
	<ul style="list-style-type: none"> The unit is part of a rental program; or The unit is moved from its original installation location 	10 YEARS	5 YEARS		
Commercial	<ul style="list-style-type: none"> A residential rental property; or Installed in a commercial building 		3 YEARS		
Agricultural	<ul style="list-style-type: none"> Any agricultural application (ex dairy barn) 				
Industrial	<ul style="list-style-type: none"> Any application where the water is used as a part of an industrial or commercial process 	5 YEARS	1 YEAR	5 YEARS	1 YEAR

HOW TO MAKE A CLAIM

Any claim for warranty assistance must be made promptly. First, determine if your water heater is “in-warranty” (that is, within the Applicable Warranty Period). You can determine your unit’s warranty status by obtaining the complete model number, the complete serial number, and the date of installation of your water heater by contacting Water Heater Innovations Water Heaters’ Warranty Department (telephone (800) 321-6718) during normal business hours to determine if the Applicable Warranty Period has expired. If your water heater is “in-warranty”, contact the plumber, or mechanical contractor, that installed it for assistance with the warranty repairs, or replacement, required. You may also select a plumber, or mechanical contractor, from your local Yellow Pages to assist you. Water Heater Innovations Technical Service personnel are available to assist you by telephone (800) 321-6718 to answer your questions about the operation or repair of your water heater during normal business hours. Be prepared to provide the plumber, mechanical contractor, or Water Heater Innovations

Technical Service person you call with the complete model number, the complete serial number, and the date of installation of your water heater in addition to an explanation of your water heater problem. If an exact replacement is not available, Water Heater Innovations will provide you with the current model of your water heater, or component part(s), or a replacement unit with comparable operating features. If government regulations or industry certification or similar standards require the replacement water heater, or replacement component part(s), to have features not found in the defective water heater, or the defective component part(s), you will be charged for the difference in price represented by those required features. If you pay the price difference for those required features and/or to upgrade the size and/or other features available on a replacement new water heater, you will also receive a complete new Limited Warranty (with the full Applicable Warranty Period) for the replacement new water heater. Water Heater Innovations reserves the right to inspect, or require the return of, the failed water heater or the defective component part(s). Each “in-warranty” failure water heater must be made available to Water Heater Innovations (with the rating label and all the component parts intact) in exchange for the replacement water heater. Each defective “in-warranty” component part to be replaced may be required to be returned to Water Heater Innovations in exchange for the replacement component part. Warranty compensation is subject to validation of “in-warranty” coverage by Water Heater Innovations Claims Department personnel.

- To obtain warranty compensation for an “in-warranty” water heater failure, you must provide Water Heater Innovations with: (at Water Heater Innovations option) either the failed water heater (with the rating label and all the component parts intact) or the complete original rating label (photocopies are not acceptable) removed from the failed water heater; the complete model number and the complete serial number of the Marathon water heater that replaced the failed unit; and the date the original water heater failed. You may also be required to provide documentary proof of the failed water heater’s date of installation to establish its “in-warranty” status.
- To receive warranty compensation for an “in-warranty” defective component part, you must provide WHI with: (at Water Heater Innovations option) either the defective component part or the part number on the failed component part; the complete model number and the complete serial number of the Marathon water heater from which the defective component part was removed; and the date the defective component part failed. You may also be required to provide documentary proof of the date of installation of the Marathon water heater from which the defective part was removed – or the date of purchase of the part (if it was purchased separately) - to establish the “in-warranty” status of the defective component part.

Warranty claim documentation should be mailed promptly to Water Heater Innovations, Warranty Department, 3107 Sibley Memorial Highway, Eagan, MN 55121

Water Heater Innovations Inc.
3107 Sibley Memorial Highway
Eagan, MN 55121-1604

) 25 < 285 5 (& 25 ' 6

Owner Information		
Name	Address	
Plumber / Mechanical Contractor – Installer Information		
Name	Address	Telephone Number
Water Heater Information		
Model Number	Serial Number	Date of Installation

1 2 7 (6