

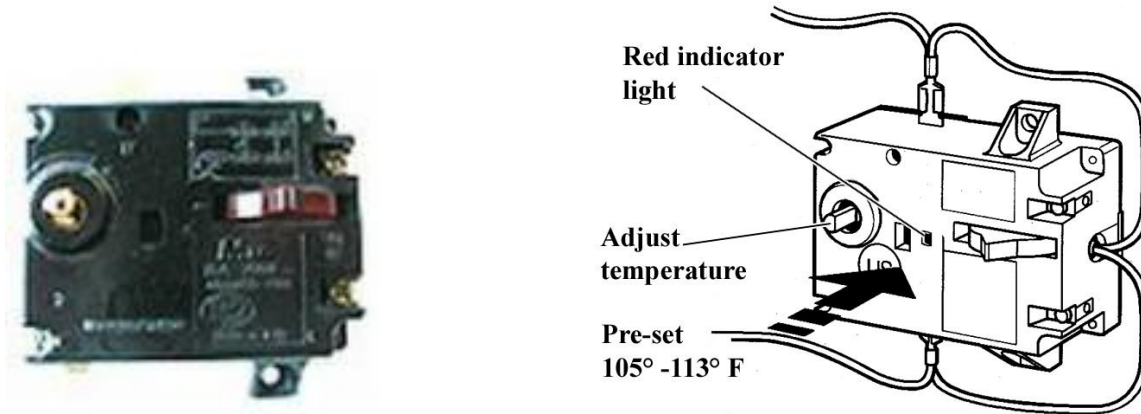
How to Troubleshoot Bosch Ariston Water Heater  
120V 1500 watt 12.5 amp 2.5 gallon and 4 gallon and 6 gallon water heater  
150psi TP valve  
Thermostat pre-set for 105° -113° F.



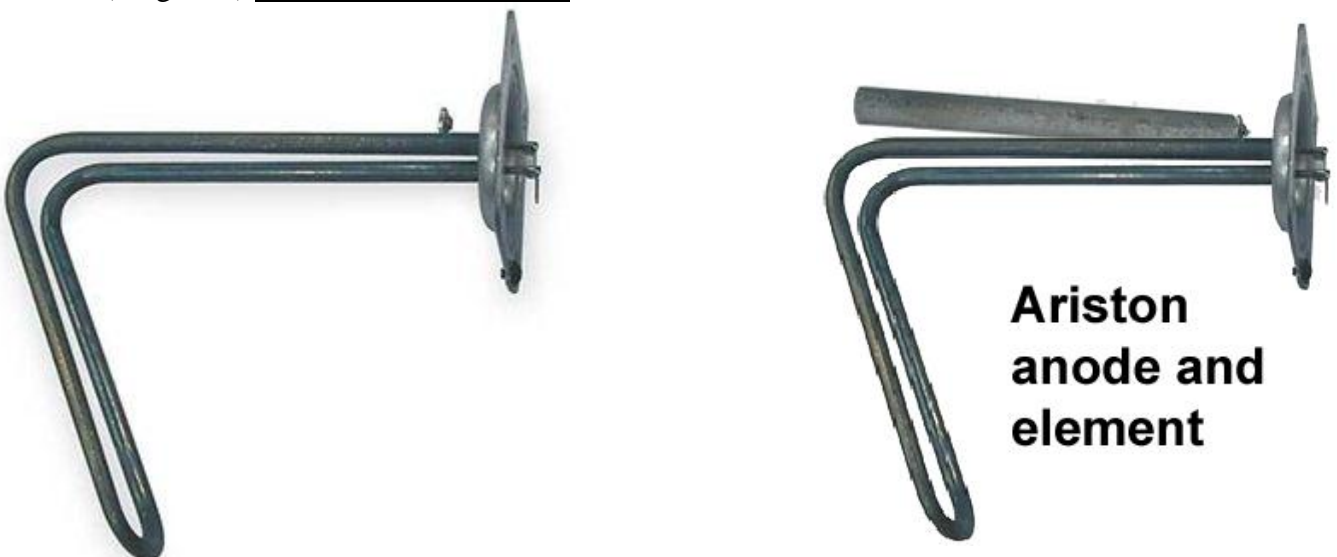
Open following links for Bosch Ariston:  
<http://waterheatertimer.org/Troubleshoot-Bosch-Tankless-water-heater.html#Ariston>  
[http://waterheatertimer.org/pdf/Bosch-GL\\_English.pdf](http://waterheatertimer.org/pdf/Bosch-GL_English.pdf)  
<http://waterheatertimer.org/How-to-install-under-counter-water-heater.html>  
[http://waterheatertimer.org/pdf/Bosch-Ariston-P10\\_P15.pdf](http://waterheatertimer.org/pdf/Bosch-Ariston-P10_P15.pdf)

Is the red light ON, indicating that unit is trying to heat water?  
Does the unit have power? Check circuit breaker and flip fully both directions.  
Does element test for 120V across both screws?  
Take screws off element and use multimeter to test for ohms, should test about 9.5 ohm.

Ariston 994062 (2-4gallon) **thermostat** sells for about \$30.



Ariston 994103 (2-4gallon) **bolt-in heating element** sells for about \$45



Ariston 574305 (2-4gallon) anode rod prevents tank from rusting out



## ARISTON COMPONENTS GL 2.5, 4, 6+

DESCRIPTION	REF.	PART	CODE	DESCRIPTION	REF.
GL 2.5	A	1	100XL	VALVE (T&P 3/4")	ABC
GL 4	B	2	570241	ANODE (MAGNESIUM)	C
GL 6+	C	2	574305	ANODE (MAGNESIUM)	AB
		3	994147	GASKET WITH 4 BOLTS	ABC
		4	994140	LOCK NUT M6	ABC
		5	994103	HEATING ELEMENT (1500/120 )	AB
		5	994104	HEATING ELEMENT (1500/120 )	C
		6		PLASTIC COVER RETAINING SCREW	
		7		NAME BADGE (PLASTIC)	
		8		COVER	
		9		SWITCH COVER	
		10		THERMOSTAT WIRING	
		11	994062	THERMOSTAT	AB
		11	994102	THERMOSTAT	C
		12		CABLE CLAMP	
		13		SUPPLY CABLE	AB
		14	570341	HEATER WALL HANGING BRACKET	ABC
		15	gl6plug	3/4" BRASS PLUG (GL6 ONLY)	C

Manual says: Hydrogen gas can be produced in a hot water system served by this heater that has not been used for a long period of time (generally 2 weeks or more). Hydrogen gas is extremely flammable. To reduce the risk of injury under these conditions, it is recommended that the hot water faucet be opened for several minutes before using any electrical appliance connected to the hot water system. If hydrogen gas is present, there will probably be an unusual sound such as air escaping through the pipe as the water begins to flow. There should be no smoking or open flame near the faucet at this time.

## REPLACING THERMOSTAT

**MODELS:** GL2.5, GL4.0, GL6+, GL2.5Ti,  
GL4.0Ti, GL8Ti



### WARNING

ELECTRICITY IS EXTREMELY DANGEROUS  
SO TAKE EXTRA PRECAUTIONS WHEN  
PERFORMING ANY WORK TO THE HEATER

### Removing thermostat

1. Unplug or turn off the breaker supplying power to the heater
2. Remove the cover from the heater, see Figure 1 below
3. Unscrew the mounting screws on thermostat. Fig 2 ( 7 )
4. Remove the thermostat push on leads. Fig 2 ( 5 & 6 )
5. Unscrew the hot wire .Fig 2 ( 2 )
6. Unscrew the neutral wire.Fig 2 ( 3 )
7. Pull out the indicator light from the right side of thermostat.Fig 2 ( 8 )

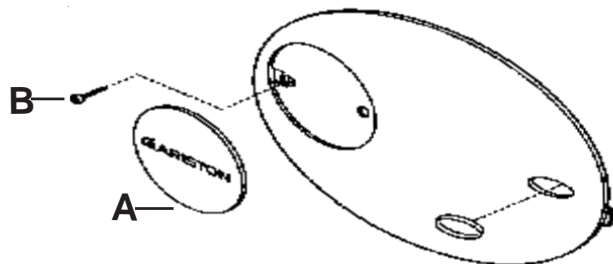
### Replacing the thermostat - see figure 2

1. Attach the hot wire (2) and the netural wire( 3 ) back to the thermostat
2. Reconnect thermostat lead wires. (5 & 6)
3. Place the indicator light in the thermostat. (8)
4. Attach the new thermostat on the heater with the mounting screws (7)
5. Replace front cover

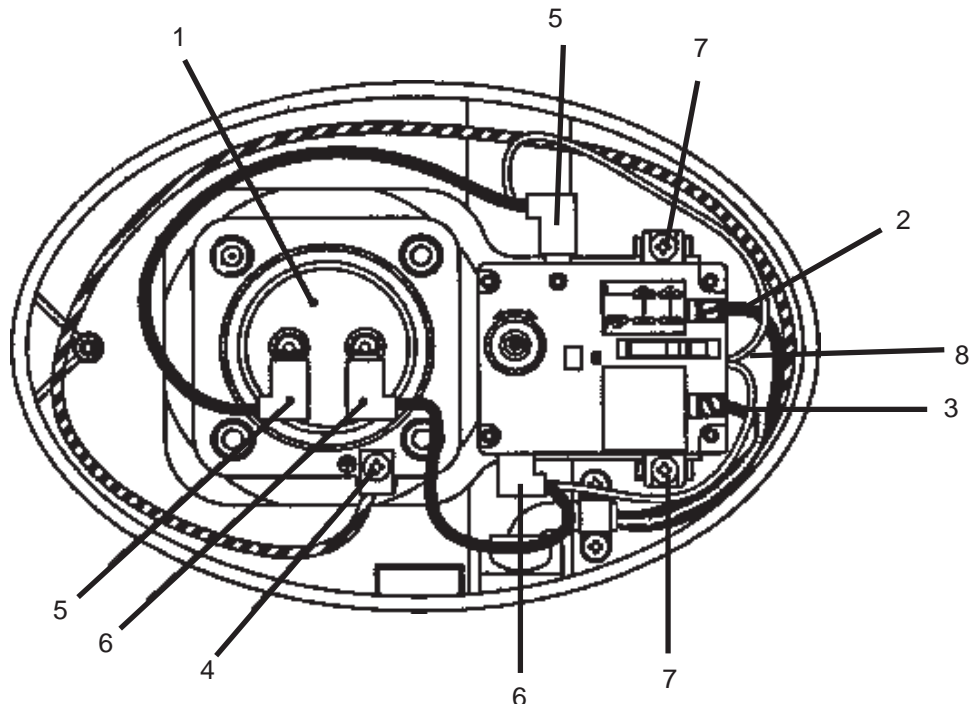
**Figure 1**

**A** Remove the Blue circle cover with the name Ariston on the left of the heater .Gently pop the small cover from the left side ONLY!!!

**B** Remove the cover screw (Phillips) This holds the front panel in place.



- 1-Element
- 2-Hot/ black wire
- 3-Neutral /white wire
- 4-Ground/Green wire
- 5-Long white element wire
- 6-Short white element wire
- 7-Thermostat Mounting screws
- 8-Indicator Light



## REPLACING ELEMENT GASKET OR ANODE

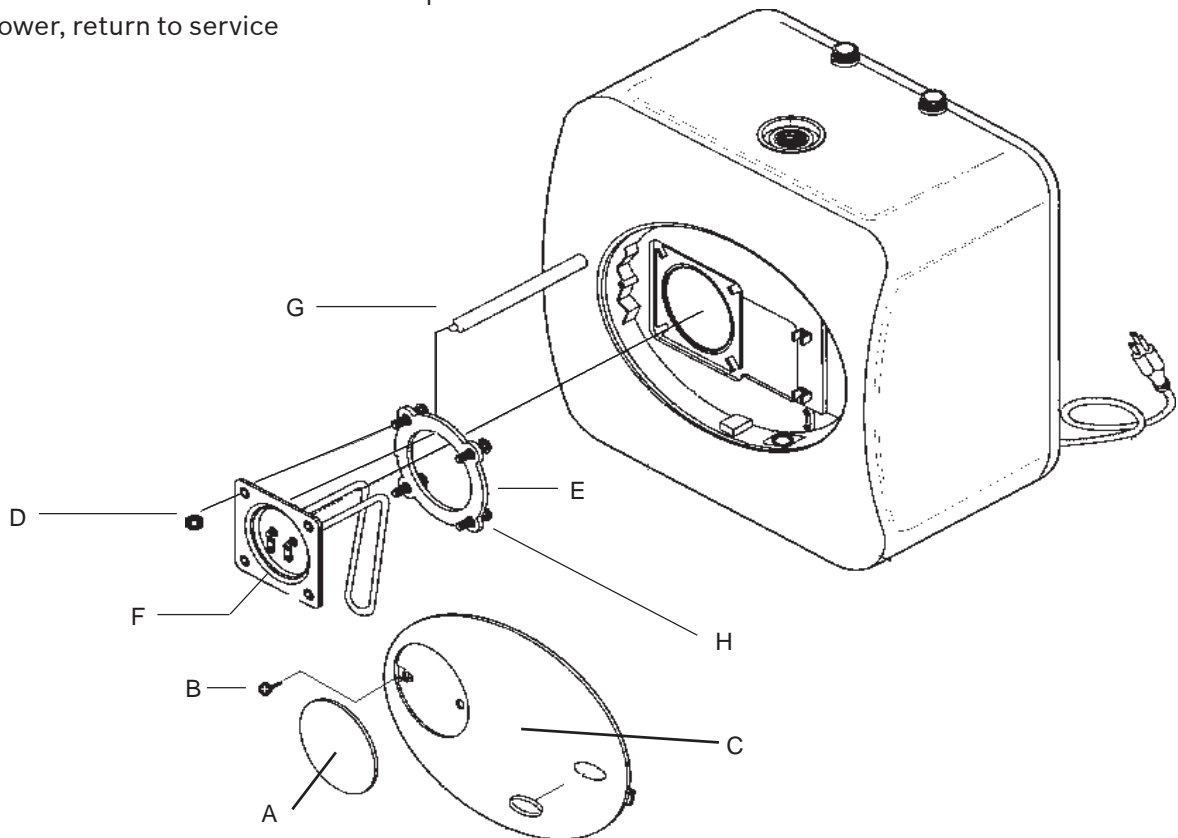
**MODELS: GL2.5, GL4.0, GL6+, GL2.5Ti, GL4.0Ti, GL8Ti**



### WARNING

ELECTRICITY IS EXTREMELY DANGEROUS  
SO TAKE EXTRA PRECAUTIONS WHEN  
PERFORMING ANY WORK TO THE HEATER

1. Unplug or turn off the breaker feeding power to the heater
2. Drain the heater (Remove heater to drain if below procedure is not possible)
  - a. Locate stop and waste valve supplying the heater. They must be lower than the base of the heater.
  - b. Close the stop valve.
  - c. Open a hot water faucet served by the Ariston heater.
  - d. Open the waste valve, making certain that there is a container to catch the water from the heater. The heater will automatically siphon itself empty.
3. Remove the cover
  - a. Remove the small blue circle cover (A) by gently prying from the left side ONLY.
  - b. Remove the cover screw (B, Phillips). This holds the front panel in place (C).
4. Removing / replacing the element, anode and gasket
  - a. First remove the 2 thermostat push on leads and ground wire from the element.
  - b. Then unscrew four retaining nuts (D, 10<sup>mm</sup>) on the outer edge of the element flange and pull element out from heater.
  - c. Remove the old gasket (E) from back of element (F).
  - d. If replacing the anode, unscrew the old anode (G) and thread the new anode back onto the element.
  - e. Place new gasket on tank flange and with 4 carriage bolts (H) in the flange and through the gasket to hold in place.
  - f. Reinsert element making sure arrow is pointing up and tighten the (10<sup>mm</sup>) retaining nuts in a cross pattern being sure not to cut or pinch the rubber element gasket.
  - g. Reconnect thermostat lead wires and ground wire to element.
  - h. Fill tank with water and check for leaks. Replace covers on front of heater.
  - i. Restore power, return to service



## RESETTING THERMOSTAT AND SETTING TEMPERATURE

**MODELS:** GL2.5, GL4.0, GL6+, GL2.5Ti,  
GL4.0Ti, GL8Ti

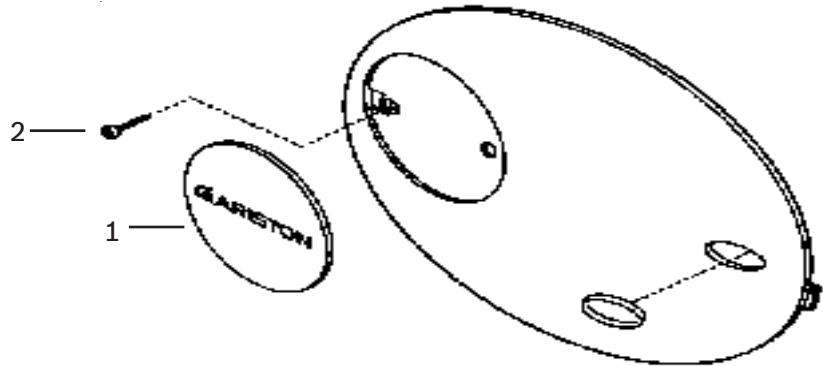


### WARNING

ELECTRICITY IS EXTREMELY DANGEROUS  
SO TAKE EXTRA PRECAUTIONS WHEN  
PERFORMING ANY WORK TO THE HEATER

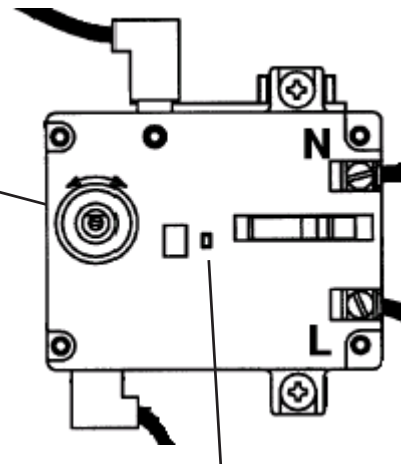
### Removing the cover

1. Remove the blue circle cover with the Ariston logo on the left of the cover plate.
2. Remove the cover screw. This holds the front panel in place.



### To reset thermostat or adjust Temperature setting

To adjust the temperature of the water in the GL model heaters, turn the temperature shaft to the right for hotter water and to the left for cooler water



Thermostat reset button, push here to reset