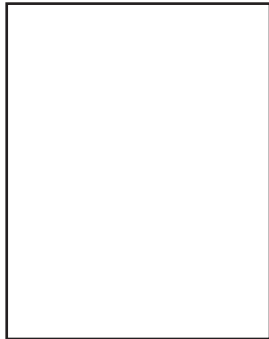


2 A. › ‘ ’ | Æ Æ Í - A Ñ ï Æ Í A › c Í
Y › c l › Æ ‹ › € Í 2 A › ‘ ’ | Æ Æ Í 0 Ø ©

5 HOHDVH 2FWREHU
)RU 7DQNOHV V 3DUWV &DWDORJ 7.33

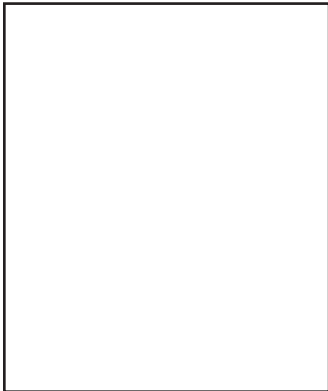
PVC Vent Kits for RTGH-84DV, and RTGH-95DV



Horizontal Vent Termination
• SP20286 for 3-Inch PVC
RXGY-G01
• SP20285 for 2-Inch PVC
RXGY-G02
11-3/4" Wide, 8" Tall, 2-1/2" Deep
Fits PVC, ABS, piping.
Offers for a clean installation of the
intake and exhaust pipes of the
condensing tankless water heater.

Horizontal or Vertical
Concentric Vent Termination
• SP20245 for 3-Inch PVC
RXGY-E03A
11-3/4" Wide, 8" Tall, 2-1/2" Deep
Fits PVC, ABS, piping.
Offers for a clean installation of the
intake and exhaust pipes of the
condensing tankless water heater.

Recess Boxes



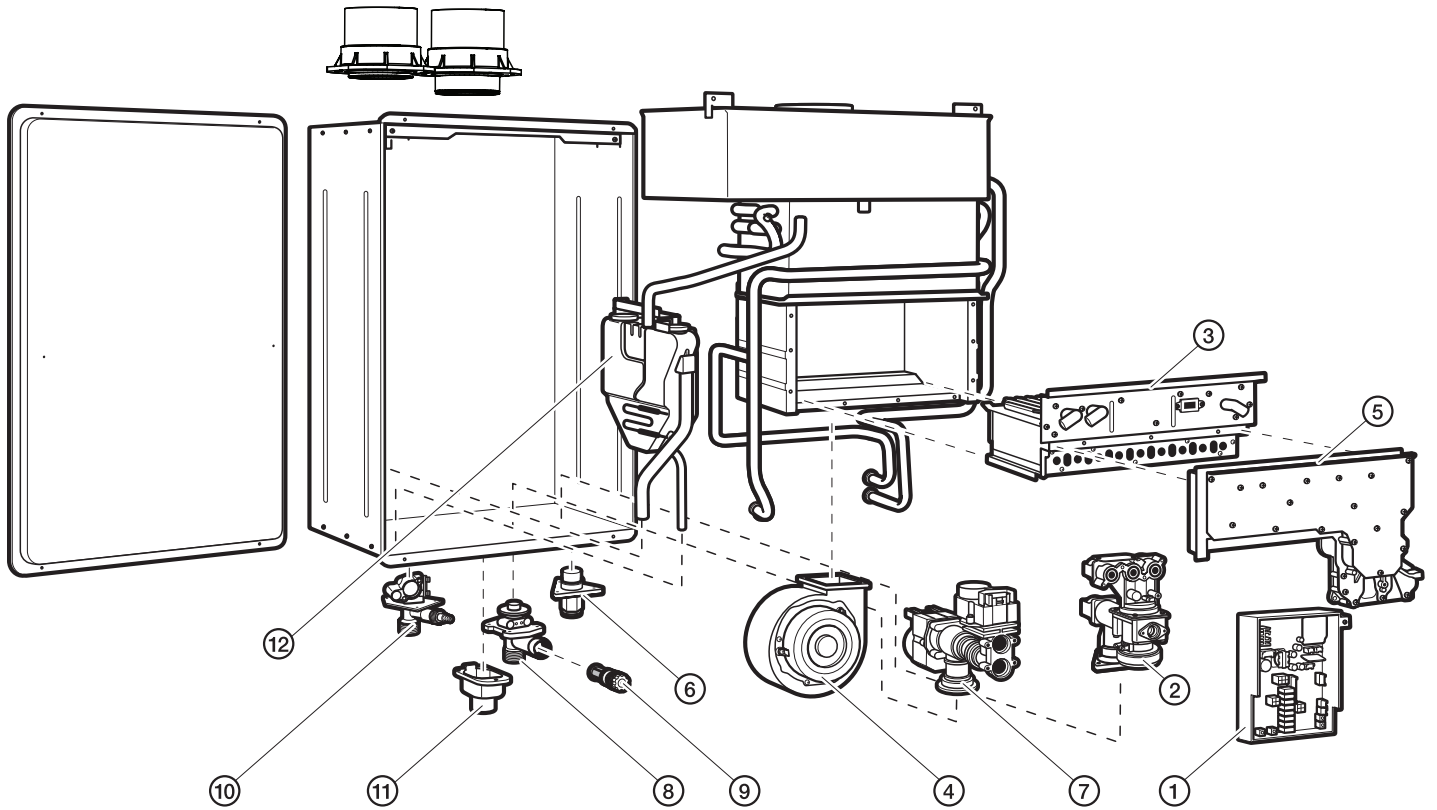
Recess Boxes enhance an outdoor
installation by protecting the tankless
unit from damage and tampering. It
also provides additional protection
from extreme weather. These boxes
come in an grey finish and can be
painted by the customer.
• RTG20226
For the RTGH-95X and RTGH-84X
Rough-in Dimensions:
46" High, 16-1/2" Wide, 9-1/2" Deep

Pipe Covers



Cosmetic Pipe Covers enhance
an indoor or outdoor installation
by concealing the pipe beneath
the water heater. It provides
protection from tampering and
weather conditions. These covers
come in an grey finish and can be
painted by the customer.
• RTG20227 (grey)
For the RTGH-95DV, RTGH-95X,
RTGH-84DV, and RTGH-84X

)RU \$GGLWLRQDO 3DUWV DQG \$FFHVVRULHV DQG SDUWV DQG DFFHVVRULHV IF
7DQNOHV V 3DUWV DQG \$FFHVVRULHV &DWDORJ 7.33 5HY IRU SDUW
)RU SDUWV QRW OLVWHG SOHDVH FRQWDFW &XVWRPHU 6HUYLE



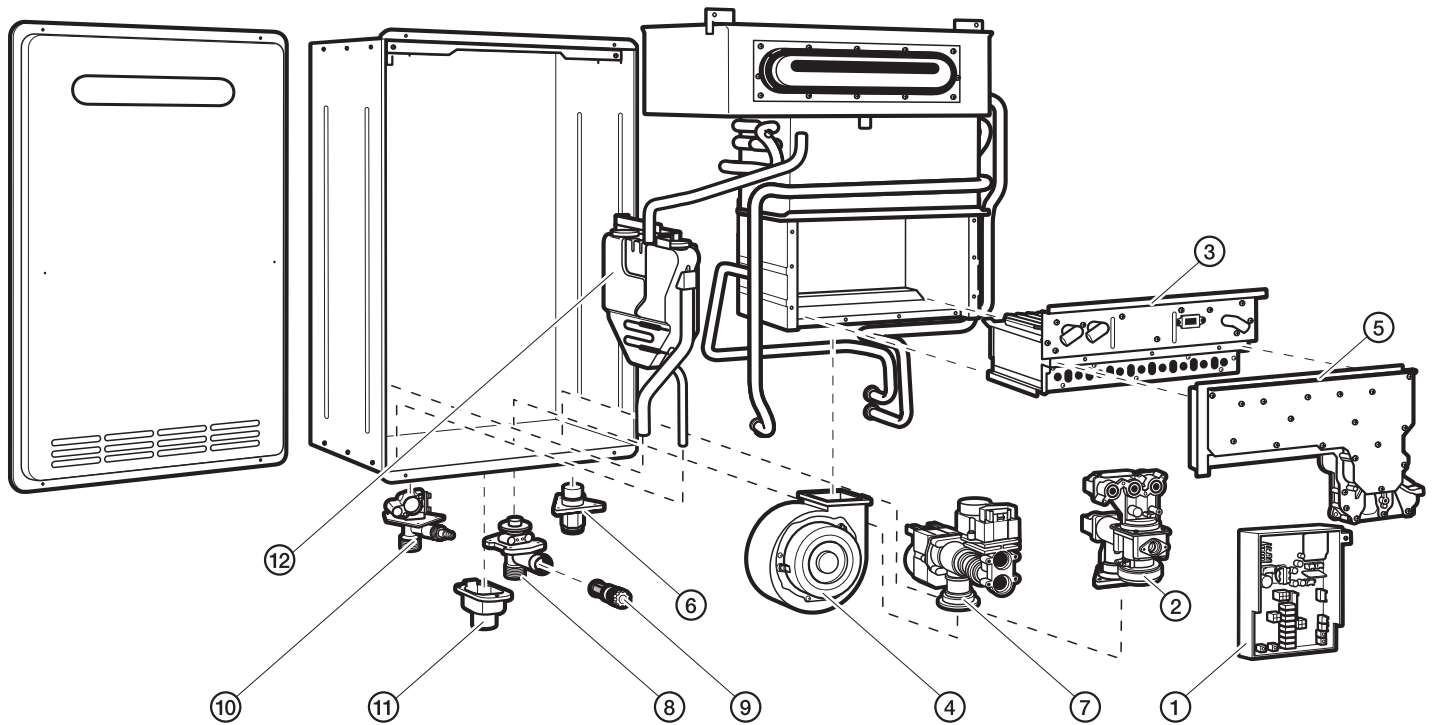
5KHHP 3DUW'HVFULSWLRQ		57*+ '9	57*+ '9
3URJUDP &KLS			
57*	7	1DWXUDO *DV 3URJUDP" &KLS	
57*	8	/3 *DV 3URJUDP &KLS "	
57*	1	1DWXUDO *DV 3URJUDP &KLS	"
57*	3	/3 *DV 3URJUDP &KLS	"
&RPPHUFLDO &RQYHUVLRQ .LWV			
57*	\$	1DWXUDO *DV &RPPHUFLDO &RQYHUVLRQ .LW	
57*	%	/3 *DV &RPPHUFLDO &RQYHUVLRQ .LW	"
57*	\$	1DWXUDO *DV &RPPHUFLDO &RQYHUVLRQ .LW	"
57*	%	/3 *DV &RPPHUFLDO &RQYHUVLRQ .LW	"

3DUWV IRU 57*+ '9 57*+ '9 VHULHV					
5HI	5KHHP	3DUW	HVFULSWLRQ	57*+ '9	57*+ '9
	57*	3	&RQWURO %RDUG	"	"
	57*	'	,QOHW 7KHUPLVWRU :KLWH	"	"
	57*	*	+HDW ([FKDQJHU 7KHUPLVWRU	*UHQ	"
	57*	+	2XWOHW 7KHUPLVWRU 5HG	"	"
	57*	-	\$PELHQW 7KHUPLVWRU %OXH	"	"
	57*	/	7KHUPRVWDW \$VVHPEO\	"	"
	57*	:	7KHUPLVWRU :LULQJ +DUQHVV	"	"
	57*	9	*DV &RQWURO 9DOYH	"	"
	57*	9	*DV &RQWURO :LULQJ +DUQHVV	"	"
	57*	'	%XUQHU \$VVHPEO\	"	"
	57*	8	,JQLWHU &RLO	"	"
	57*	0	,JQLWHU 5RG ,*	"	"
	57*	.	%ORZHU 0RWRU	"	"
	57*	.	%ORZHU &DVH	"	"
	57*)	%XUQHU 0DQLIROG /3	"	"
	57*	;	%XUQHU 0DQLIROG 1\$7	"	"
	57*	*)ODPH 5RG)/	"	"
	57*	3)ODPH 5RG :LUH	"	"
	57*	&)ODPH 5RG)/	"	"
	57*	0)ODPH 5RG :LUH 1R 6	"	"
	57*	.	*DV ,QOHW &RQQHFWRU	"	"
	57*	(:DWHU &RQWURO %RG\	"	"
	57*	0	%\SDVV \$VVHPEO\	"	"
	57*	-	:DWHU ,QOHW &RQQHFWRU	"	"
	57*	&(+RW :DWHU 2XWOHW &RQQHFWRU	"	"
	57*	\$\$	5HPRWH &RQWURO 7HUPLQDO %ORFN	"	"
	57*)	1HXWUDOLJDWLRQ 5HSODFHPHQW .LW	"	"
	57*	%)URQW &RYHU 1R /DEHOV RU %UDQ'GLQJ	"	"
	7%\$		([KDXVW 9HQW 2XWOHW &RQQHFWRU' 39&	"	"
	7%\$		\$LU ,QWDNH ,QOHW &RQQHFWRU 39&	"	"

\$FFHVVRULHV

9HQWLQJ 63 5;* < * ,QFK +RUL]RQWDO 7HUPLQDWLRQ .LW
63 5;* < * ,QFK +RUL]RQWDO 7HUPLQDWLRQ .LW
63 5;* < (,QFK &RQFHQWULF +RUL] 9HUWRQWDO 7HUPLQDWLRQ
5HPRWH &RQWUROV: 80& 0DLQ 5HPRWH &RQWURO
57* '8 86& %DWK 5HPRWH &RQWURO
57* '9 86& 6HFRQG %DWK 5HPRWH &RQWURO
3LSH &RYHU 57* 3LSH &RYHU JUH\
6HUylFH 9DOYHV 7DQNOHVV 6HUylFH 9DOYH .LW ZLWK 5HOLHI 9DOYH
57* \$% 7DQNOHVV 6HUylFH 9DOYH .LW ZLWK 5HOLHI 9DOYH
5HOLHI 9DOYH \$% & 3UHVVXUH 5HOLHI 9DOYH
(= /LQ & DEOH 57*)7 (= /LQ & DEOH

6HH 3DJH RI 7.33 IRU 0DQLIROG &RQWUROOHU ,QIRUPDWLRQ



5KHHP 3DUW'HVFULSWLRQ	57*+ ;	57*+ ;
3URJUDP &KLS		
57* 9	1DWXUDO *DV 3URJUDP" &KLS	
57* :	/3 *DV 3URJUDP &KLS "	
57* 5	1DWXUDO *DV 3URJUDP &KLS "	
57* 6	/3 *DV 3URJUDP &KLS "	
&RPPHUFLDO &RQYHUVLRQ .LWV		
57* &	1DWXUDO *DV &RPPHUFLDO &RQYHUVLRQ .LW	
57* ' ,	/3 *DV &RPPHUFLDO &RQYHUVLRQ .LW	
57* &	1DWXUDO *DV &RPPHUFLDO &RQYHUVLRQ .LW	
57* ' ,	/3 *DV &RPPHUFLDO &RQYHUVLRQ .LW	

3DUWV IRU 57*+ ; 57*+ ; VHULHV

5HI	5KHHP	3DUW	HVFULSWLRQ	57*+ ;	57*+ ;
	57*	3	&RQWURO %RDUG	"	"
	57*	'	,QOHW 7KHUPLVWRU :KLWH	"	"
	57*	*	+HDW ([FKDQJHU 7KHUPLVWRU	*UHQ	"
	57*	+	2XWOHW 7KHUPLVWRU 5HG	"	"
	57*	-	\$PELHQW 7KHUPLVWRU %OXH	"	"
	57*	:	7KHUPLVWRU :LULQJ +DUQHVV	"	"
	57*	9	*DV &RQWURO 9DOYH	"	"
	57*	9	*DV &RQWURO :LULQJ +DUQHVV	"	"
	57*	:	%XUQHU \$VVHPEO\	"	"
	57*	8	,JQLWHU &RLO	"	"
	57*	0	,JQLWHU 5RG ,*	"	"
	57*	\$%	%ORZHU 0RWRU	"	"
	57*	\$&	%ORZHU &DVH	"	"
	57*)	%XUQHU 0DQLIROG /3	"	"
	57*	;	%XUQHU 0DQLIROG 1\$7	"	"
	57*	*)ODPH 5RG)/	"	"
	57*	3)ODPH 5RG :LUH	"	"
	57*	.	*DV ,QOHW &RQQHFWRU	"	"
	57*	(:DWHU &RQWURO %RG\	"	"
	57*	0	%\SDVV \$VVHPEO\	"	"
	57*	-	:DWHU ,QOHW &RQQHFWRU	"	"
	57*	&(+RW :DWHU 2XWOHW &RQQHFWRU	"	"
	57*	\$\$	5HPRWH &RQWURO 7HUPLQDO	"	"
	57*)	1HXWUDOLJDWLRQ .LW 6HW	"	"
	57*	\$)URQW &RYHU 1R /DEHOV RU %UDQGLQJ	"	"

\$FFHVVRULHV

5HPRWH &RQWUROV: 80& 0DLQ 5HPRWH &RQWURO
 57* '8 86& %DWK 5HPRWH &RQWURO
 57* '9 86& 6HFRQG %DWK 5HPRWH &RQWURO
 3LSH &RYHU 57* 3LSH &RYHU JUH\
 5HFHVV %R[57* 5HFHVV %R[JUH\
 6HUylFH 9DOYHV 7DQNOHVV 6HUylFH 9DOYH .LW ZLWK 5HOLHI 9DOYH
 57* \$% 7DQNOHVV 6HUylFH 9DOYH .LW ZLWK 5HOLHI 9DOYH
 5HOLHI 9DOYH \$B & 3UHVVXUH 5HOLHI 9DOYH
 (= /LQ & DEOH 57*)7 (= /LQ & DEOH

6HH 3DJH RI 7.33 IRU 0DQLIROG &RQWUROOHU ,QIRUPDWLRQ

5KHHP	588'	5LFKPRQG	(FR6HQVH	3DORPD
57*+ '91	587*+ '91	507*+ '91	(&2+ '91	3++ 5'91
57*+ '93	587*+ '93	507*+ '93	(&2+ '93	3++ 5'93
57*+ ;1	587*+ ;1	507*+ ;1	(&2+ ;1	3++ 52)1
57*+ ;3	587*+ ;3	507*+ ;3	(&2+ ;3	3++ 52)3
57*+ '91	587*+ '91	507*+ '91	(&2+ '91	3++ 5'91
57*+ '93	587*+ '93	507*+ '93	(&2+ '93	3++ 5'93
57*+ ;1	587*+ ;1	507*+ ;1	(&2+ ;1	3++ 52)1
57*+ ;3	587*+ ;3	507*+ ;3	(&2+ ;3	3++ 52)3

●

Rheem Customer Service

Division Office 334-260-1500

Parts, Customer Service, Warranty1-800-621-5622

Fax1-800-535-9538

Emailparts@rheem.com

Technical Service1-800-HEATER3
(1-800-432-8373)

Emailtechserv@rheem.com

Websitewww.rheem.com

6HH 7DQNOHV 3DUWV DQG \$FFHVVRULHV &DWDORJ 7.33 5HY IRU SD
)RU SDUWV QRW OLVWHG SOHDVH FRQWDFW &XVWRPHU 6HUYLE

Tankless water heaters
Endless hot water



relax
It's Rheem®

Rheem Water Heating
101 Bell Road
Montgomery, AL 36117-4305
www.rheem.com