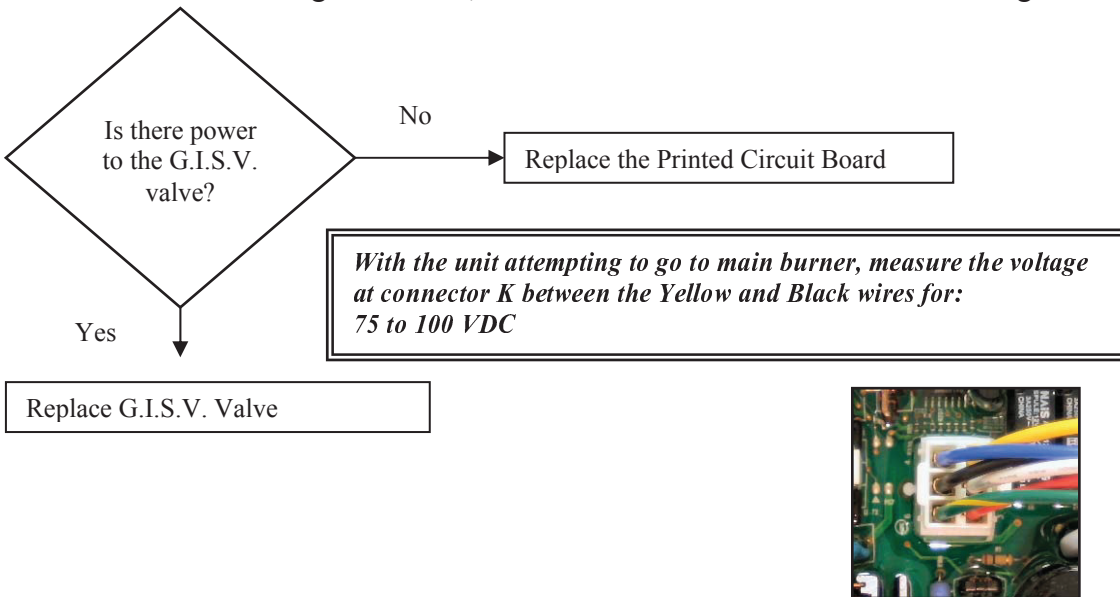


Error Code 71

Explanation: Gas Inlet Solenoid Valve (G.I.S.V) fault. Check gas inlet solenoid valve wiring harnesses for loose or damage terminals; and connection K to the circuit board is tight.



Error Code 72

Explanation: Flame Sensing Device fault. The Flame Probes are sensing the presence of flame when there is not suppose to be any flame.

See and follow the same procedure as used in Error Code 51.

<http://waterheatertimer.org/pdf/Tankless-error-code-51.pdf>