

**TITAN ELECTRONIC TANKLESS WATER HEATER  
WARRANTY REGISTRATION CERTIFICATE**

MODEL \_\_\_\_\_ DATE PURCHASE \_\_\_\_\_  
OWNER'S NAME \_\_\_\_\_  
OWNER'S ADDRESS \_\_\_\_\_  
CITY \_\_\_\_\_ STATE \_\_\_\_\_ ZIP CODE \_\_\_\_\_  
PLACE OF PURCHASE \_\_\_\_\_

**Keep this information for your records and mail the provide  
Post-Card in this brochure to activate your warranty**

THE TITAN INSTANT TANKLESS WATER HEATER is warranted to the original purchaser to be free from defects in material and workmanship for the warranty period set forth below.

This Limited 10 year Warranty shall be valid only after the attached Warranty Registration Certificate, completed and signed by the original purchaser, is mailed to the authorized agent, within thirty (30) days of the original purchase data.

The Manufacturer will replace or repair, at its option and Free of Charge during a period of one (1) year from the original purchase date, any TITAN INSTANT TANKLESS WATER HEATER which proves defective under normal installation, use and service. In addition, following termination of the initial one (1) year warranty period and as for as long as 10 years, the Manufacturer will repair or replace at his option any casing proven to be defective under normal installation, use and service. In both cases, the original TITAN INSTANT TANKLESS WATER HEATER must be returned accompanied by a copy of the purchaser's receipt, with transportation, shipping charges and when applicable, repair or replacement price prepaid to the authorized agent's address below.

Any damage to the TITAN INSTANT TANKLESS WATER HEATER, as a result of misuse, abuse, neglect, accident, improper, installation, non-authorized repair or alteration or any violation of instructions furnished by us, will void this warranty.

EXCEPT AS SPECIFICALLY PROVIDED HEREIN, THERE ARE NO OTHER WARRANTIES, EXPRESSED OR IMPLIED, INCLUDING, BUT NOT LIMITED TO ANY IMPLIED WARRANTIES OR MERCHANTABILITY OR FITNESS FOR A PARTICULAR PURPOSE, THERE ARE NO WARRANTIES WHICH EXTEND BEYOND THE DESCRIPTION OF THE FACE HEREOF, IN NO EVENT SHALL NIAGARA OR THE AUTHORIZED AGENT BE LIABLE FOR LOSS OF PROFITS, INDIRECT, ESPECIAL CONSEQUENTIAL OR OTHER SIMILAR DAMAGES ARISING OUT OF ANY BREACH OF THIS WARRANTY OR OBLIGATIONS UNDER THIS WARRANTY.

This warranty gives you specific legal rights, and you may also have other rights.



**NIAGARA INDUSTRIES, INC.**

2540 N.W. 38 Court • Miami, Florida 33142 • USA

# TITAN

scr

## The Modern Way To Heat Water



only 10" x 7" x 3"

The Professional for Professionals  
Instant Electronic Tankless Water Heater  
American Technology at it's Best

- Endless Hot Water • Quality Design
- Space Saver • Experience
- Energy Saver • Warranty

**SAVED  
UP TO  
60%  
ON WATER  
HEATING  
COST**

[www.TitanHeater.com](http://www.TitanHeater.com)  
1-888-697-8456

U.S. Patented # 5408578

\*We Reserve the right to amend specification as new technology develops\*



VERY IMPORTANT • READ CAREFULLY • DO NOT VOID WARRANTY

# WARNING

## ONLY VERTICAL INSTALLATION

Before turning on the electricity, let the water run for 20 seconds through the unit. Check local codes for appropriate wire gauge and circuit breaker.

**TAMPERING WITH THE UNITS ELECTRONIC MODE, BREAKING THE SEAL OR REMOVING CONNECTION PARTS WILL VOID YOUR WARRANTY**

(One shut off valve should be installed)

A- The unit comes with 1/2" compression fittings, do not solder pipe to inlet or outlet.

B- Flush supplying line before connecting the unit, to remove any particles left in line.

**DO NOT USE TEFLON TAPE OR PASTE ON COMPRESSION FITTINGS.**

C- If any soldering must be done, remove pipes from unit.

**FAILURE TO FOLLOW THESE INSTRUCTIONS WILL CAUSE DAMAGE TO THE UNIT.**

Important: When using any type of plastic pipe like pex or cpvc you must install 36" of cooper pipe to the inlet and outlet of the unit. DO NOT connect any plastic pipe directly to the unit. Also, when using and plastic pipe you must install a pressure relieve valve to the unit.

**WARNING**  
DISCONNECT FROM  
SUPPLY BEFORE  
SERVICING

## CHECK SPECIFICATION ON UNIT USED

Voltage, Amperage, Breaker and wire may vary depending on local electrical standards, consult a professional plumber or electrician for guidance.



The electrical specifications are based on 220 V.A.C. (110 V.A.C. for model N-10). It should be noted the higher the voltage will increase power, just as lower voltage will have the reverse effect.

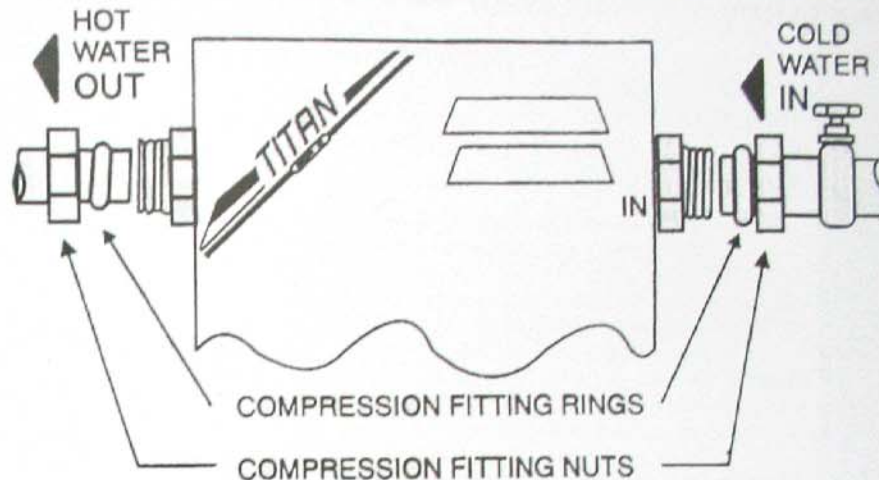
**AS ALL ELECTRONIC APPLIANCE THIS UNIT MUST BE PROTECTED FROM RAIN AND WEATHER CONDITIONS**

A minimum of 12" clearance must exist from the top of the unit to ceiling and from bottom to floor.

VERY IMPORTANT • READ CAREFULLY • DO NOT VOID WARRANTY

## IMPORTANT

Test the installation for leaks before connecting the electrical supply. Check with a professional electrician for required breaker and wire gauge.



### VERY IMPORTANT!

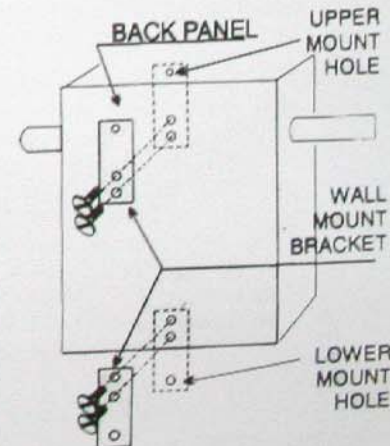
Use only the compression fitting ring and nut provided with each unit as shown above.

**IMPORTANT:** COMPRESSION FITTINGS ARE DESIGNED EXCLUSIVELY FOR THIS UNIT, DO NOT USE A DIFFERENT TYPE OF THREADED COUPLING.

## MOUNTING OF TITAN TANKLESS WATER HEATER

Niagara Industries supplies with each heater a mounting kit container four (4) sheet metal screws and two (2) supporting brackets in a plastic bag.

These brackets can be attached to the back of the heater and allows the installer to secure the heater to the wall without the need to open the front cover.



**Make sure to use only the brackets and screws that are provided in the mounting kit. The use of longer screws may damage the unit and void your warranty.**